

Nidec

SMALL SIZE PRESSURE GAUGE

PG-35H

INSTRUCTION MANUAL Ver.3.2

Thank you for purchasing a
NIDEC COPAL ELECTRONICS CORP. product.
In order to use the product correctly and most
appropriately, please completely read this manual before
use and keep it for future reference.

For more detailed information please ask for the nearest
distributor or the following sales center.

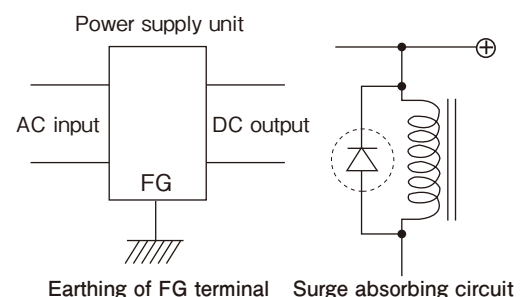
NIDEC COPAL ELECTRONICS CORPORATION

Nishi-Shinjuku Prime Square., 7-5-25
Nishi-Shinjuku, Shinjuku-ku, Tokyo 160-0023 Japan
<https://www.nidec-copal-electronics.com>



Important Information and Warnings

- ① For stability, use a regulated direct current power supply.
Surge absorbing devices (diodes, varistors, etc.) are necessary if inductive loads such as relays or solenoids are connected to the same circuit as the PG-35H.
If using a DC power supply unit such as a switching power supply, the FG terminal should be earthed. Do not wire in parallel to high tension cables or power lines, or use cable ducts which contain high tension cables or power lines.
- ② Be careful not to crimp any wires during handling, or put any pressure on the display area of the main body while assembling piping.
- ③ Use pH neutral detergents to clean the body. Do not use solvents such as thinners.
- ④ This product is dust proof and drip proof (IP65 of IEC standards) and is not suitable for use in environments requiring higher standards.
Also, do not use this product in an environment with a possibility of product being covered by liquids other than water (Such as oil, solvent, and etc.) and outdoor.
- ⑤ Do not use pointed objects such as pens to press the setting buttons on the display panel, as this may push holes in the setting buttons and damage them.
- ⑥ Do not insert wires, etc. in the pressure port, as this may damage the internal diaphragm and cause malfunctioning.
- ⑦ The PG-35H series do not have an explosion proof structure.
Do not use it for the detection of flammable gases.
- ⑧ When analog output is supplied to a noise-sensitive device, a low-pass filter is requested in a customer's circuit.
- ⑨ Countermeasures for noise interference:
Please connect either the shield wire or the metal part of the product to frame ground (FG) of the power source.
- ⑩ In case a wire extension is needed, please use a shielded wire.

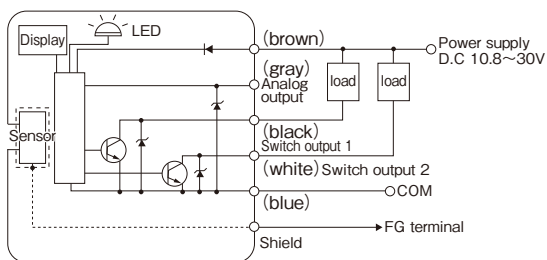


Specifications

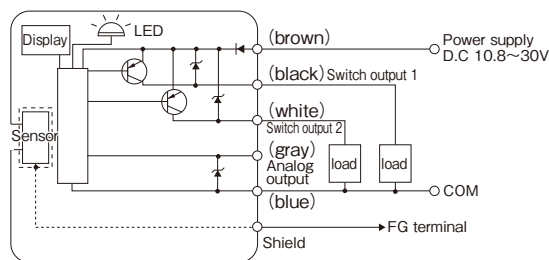
Model		PG-35H	
		104R	354R
Type		Gauge pressure	
Rated pressure range		-0.1~10MPa	-0.1~35MPa
Maximum pressure		20MPa	50MPa
Break-down pressure		40MPa	50MPa
Acceptable media	R2	Oil that do not corrode Fe and Ni	
	G3	Liquids or gases that do not corrode SUS316	
Operating voltage		10.8~30VDC (including ripple)	
Current consumption		50mA maximum	
Switch outputs		Two outputs NPN/PNP: Transistor open collector Switch rating: 30VDC 100mA maximum Residual voltage: 1.2V maximum (NPN) / 2.2V maximum (PNP) at 100mA.	
		Hysteresis 0~300 counts setting (adjustable)	
		Repeatability $\pm 0.2\%FS \pm 1$ digit	
		Response Approx. 5ms (Digital Filter: "F-0")	
Short circuit protection		Exists	
Analog output		Output voltage 1~5V / Pin(L)~Pin(H), Output impedance: 10k Ω , Resolution: 1 / 204 Only R / G mode.	
Output mode		Pressure range Pin(L)~Pin(H)	
R		-0.1~10MPa	-0.1~35MPa
G		0~10MPa	0~35MPa
Output mode		Output voltage accuracy $V_{zero(upper)} / V_{span(Lower)}$ ($V_{zero: Pin=0}$, $V_{span: Pin=0 \sim Pin(H)}$)	
R		1.04 $\pm 0.2V$ 3.96 $\pm 0.2V$	1.01 $\pm 0.2V$ 3.99 $\pm 0.2V$
G		1 $\pm 0.2V$ 4 $\pm 0.2V$	
		Full 3 digit LED display (display cycle: 4 times per second)	
Display	Negative pressure display	- LED is lit	
	Display accuracy	$\pm 1\%FS$	
Operation display		SW1 LED (green) and SW2 LED (red) light up when switch outputs are ON	
Operating conditions		IP protection Meets IP65 (pressure gauge main body) of IEC	
		Operating temperature -10 ~ 50°C (storage -20~70°C)	
		Operating humidity 35~85% RH	
		Insulation resistance 100M Ω minimum at DC500V between bundled leads and pressure port	
		Dielectric strength One minute at AC500V between bundled leads and pressure port (1mA maximum leakage)	
		Vibration resistance 10~500HZ 1.5mm maximum / 98.1 m/s^2 , three directions, two hours each	
Shock resistance 490m/s ² , three directions, three times each			
Thermal error		$\pm 3\%FS$ (0~50°C)	
Fitting part types	R2	Fe, Ni, SUS316L	
	G3	SUS316, SUS316L	
Materials at pressure receiving area		SUS316L	
Net Weight		200 $\pm 30g$ (incl. 2m cable)	

Output Electrical Diagram (Wire colors correspond to IEC standards)

NPN Open Collector Output Model

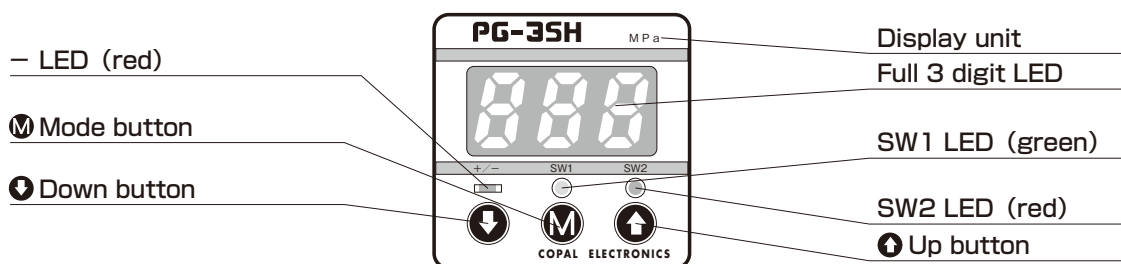


PNP Open Collector Output Model

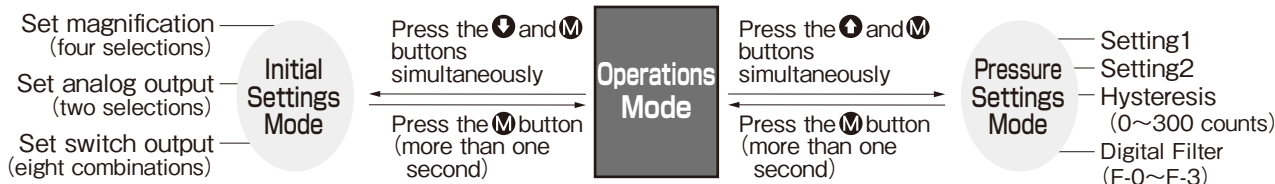


Wire color	Connection
Brown	Power ⊕
Gray	Analog output
Black	SW output1
White	SW output2
Blue	Common
Shield	Fitting

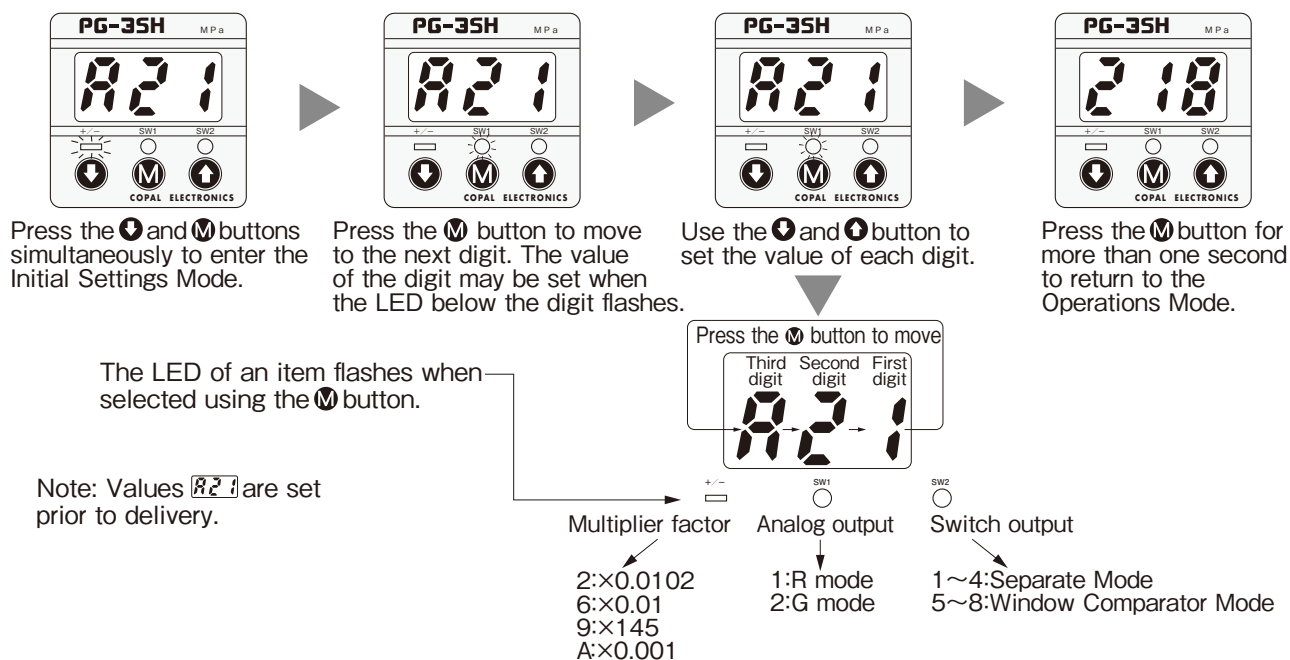
Function Names



Operating Procedures



Initial Settings Mode



Multiplier factor Setting

The multiplier factor setting is determined by the value of the third digit : the red –LED should be flashing during the setting.

		Pressure range (–Pr~+Pr)		
		104R	354R	
Value selected	1	×0.0102	–1.0~99.9	–1~357
	2			
	3			
	4	×0.01	–1.0~99.9	–1~350
	5			
	6			
	7	×145	–0.01~1.45	–0.01~5.07
	8			
	9			
	A	×0.001	–0.10~9.99	–0.1~35.0
	b			

Sections containing an oblique stroke are multiplier factor that cannot be selected because of resolving power or display digits. (Values will not be displayed automatically.)
Note:“A” is set prior to delivery.

An example of setting “2”.

In the operations mode, press the and simultaneously to enter the Initial Settings Mode.

Press the until the – LED under the third digit flashes.

Set the value of the third digit to “2” using and buttons.

Press the for more than one second to return to the Operations Mode.

*Change of magnification setting is effective only for pressure reading. Set values for switching are not scaled automatically.

Analog Output Setting

The analog output setting is determined by the value of the second digit:the green SW1 LED should be flashing during the setting.

		–Pr		0		+Pr	
		←		→		→	
Value selected	1	1V	(Vzero)	5V	
	2			1V	5V	

An example of setting the R mode in the 104R range.

In the Operations Mode, press the and simultaneously to enter the Initial Settings Mode.

Press the until the SW1 LED under the second digit flashes.

Set the value of the second digit to “1” using the and buttons.

Press the for more than one second to return to the Operations Mode.

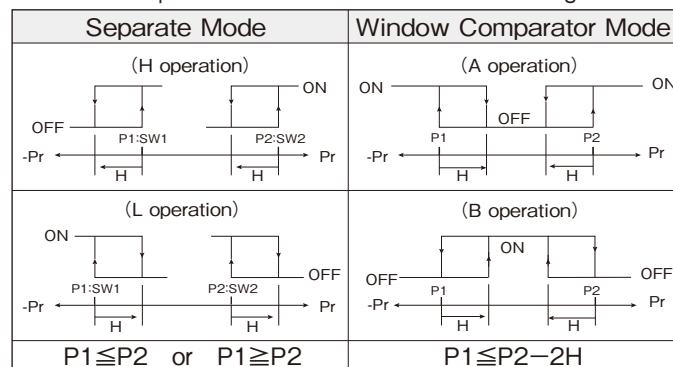
Note:G mode are set prior to shipment.

Switch Output Setting

The switch output setting is determined by the value of the first digit : the red SW2 LED should be flashing during the setting.

Value selected	Output	SW1 output				SW2 output			
	Mode	Separate		Window comparator		Separate		Window comparator	
	Operation	H	L	A	B	H	L	A	B
1		○				○			
2		○					○		
3			○					○	
4			○					○	
5				○					○
6				○					○
7					○				○
8					○				○
		Setting 1		Minimum: Setting 1 Maximum: Setting 2		Setting 2		Minimum: Setting 1 Maximum: Setting 2	
		Note 1	Note 2	Note 1	Note 2	Note 1	Note 2	Note 1	Note 2

There are four operation modes. These are shown in the diagrams below.

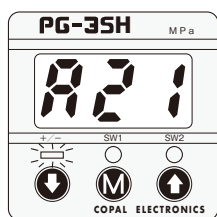
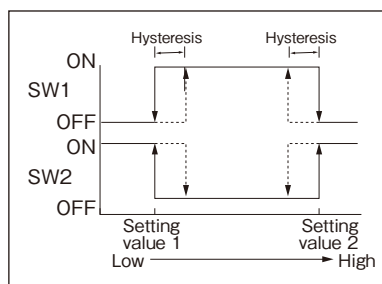


Note 1. In the Separate Mode, setting 1 corresponds to SW1, and Setting 2 corresponds to SW2.

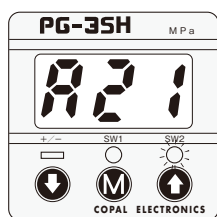
Note 2. In the Window Comparator Mode, the minimum value for SW1 and SW2 corresponds to Setting 1 and the maximum value corresponds to Setting 2.

Window Comparator Mode

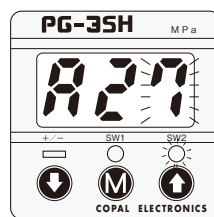
(An example of setting the value "7" for the mode shown in the diagram.)



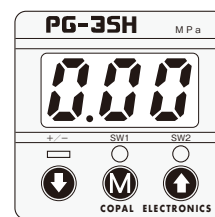
In the operations mode, press the **↓** and **M** buttons simultaneously to enter the Initial Settings Mode.



Press the **M** button until the SW2 LED under the first digit flashes.

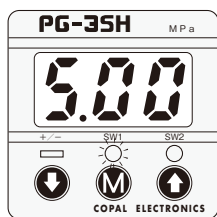


Set the value of the first digit to "7" using the **↑** and **↓** buttons.

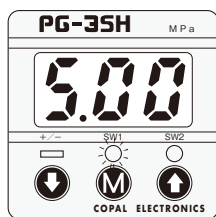


Press the **M** button for more than one second to return to the Operations Mode.

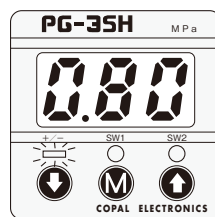
Pressure Settings Mode



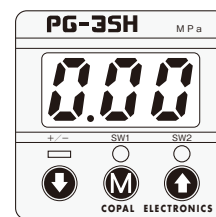
Press the **M** and **↑** buttons simultaneously to enter the Pressure Settings Mode. (The SW1 LED flashes.)



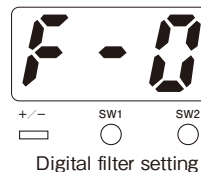
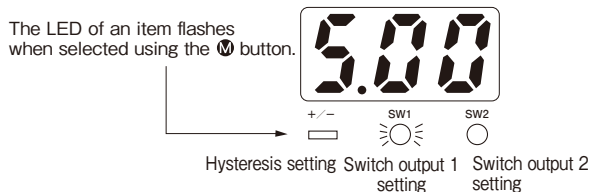
Press the **M** button to select between switch output 1 setting (SW1), switch output 2 setting (SW2), or the hysteresis setting.



Set the value using the **↑** and **↓** buttons.



Press the **M** button for more than one second to return to the Operations Mode.



F-0:Response Time=5ms
 F-1:Response Time=25ms
 F-2:Response Time=250ms
 F-3:Response Time=2.5s

Switch Output Setting

To set switch output 1 the SW1 LED should be flashing. (To set switch output 2 the SW2 LED should be flashing.) An example of setting 6MPa for switch output 1 (SW1 LED is flashing) with 104R.

Press the **M** and **↑** buttons

Press the **M** button until the SW1 LED flashes.

Set the value to "6.00" using the **↑** and **↓** buttons.

Press the **M** button for more than one second to return to the Operations Mode.

Note:+50%F.S. is set prior to delivery.

Hysteresis setting

To set hysteresis the "-" LED should be flashing. An example of setting a hysteresis value of 0.8MPa with the 104R (MPa).

Press the **M** and **↑** buttons.

Press the **M** button until the -LED flashes.

Set the value to "0.80" using the **↑** and **↓** buttons.

Press the **M** button for more than one second to return to the Operations Mode.

Note:20counts is set prior to delivery.

Digital Filter setting

To set Digital Filter all LED should be not flashing. An example of setting 2.5s response time by Digital Filter.

Press the **M** and **↑** buttons.

Press the **M** button until all LED do not flashe.

Set the value to "F-3" using the **↑** and **↓** buttons.

Press the **M** button for more than one second to return to the Operations Mode.

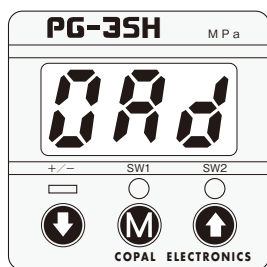
Note:"F-0" is set prior to delivery.

Troubleshooting

If the following error messages are displayed, follow the procedures in the table.

Display and problem	Cause	Solution
E-1	Output current is exceeding 100mA.	Turn off the power and verify the load connected switch output 1 and 2.
E-2	Pressure was applied at the zero point adjustment.	Press M button and return the applied pressure to the atmospheric pressure and try zero-point adjustment again.
E-3,E-4	Failure of the internal circuit.	Please contact us. Please use a regulated DC power supply and measures for the power line noise.
999Flashing	Pressure values exceed the display range.	Normal state
Flashing of the pressure value	Pressure values exceed the rated pressure range. (110%FS)	Normal state
Black out of the display	Non-display mode	Normal state (See Non-display mode.)
Disable the key operation	Key protection mode	Normal state (See Key protection mode.)

Zero point Adjustment



Pressing the and buttons simultaneously in the Operations Mode displays **0.00** on the screen. One second later this change to **0** than the and buttons are released. (If the pressure port is opened to the atmosphere.)

Note: You have to adjust Zero under open air condition. Otherwise you can be seen E-2 error as you adjusted Zero with residual pressure.

Others

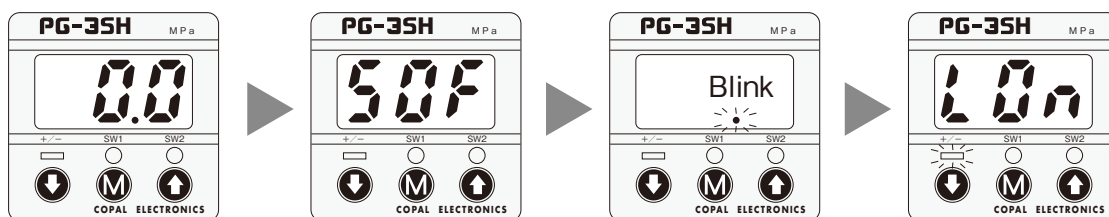
Piping

Use a wrench on the aluminum die-casting. Do not hold the plastic case when tightening. Apply sealing tape at the male screw area (R2 type) to protect against air leaks.

Non-Display Mode

〈Non-Display [Temporary] Mode〉

- When the keys are not operated for more than 10 seconds during Operation Mode, the system will automatically select Non-Display [Temporary] Mode and the display will turn off.
- Decimal point LED shown in the figure below will blink during Non-Display [Temporary] Mode
- Using the EEPROM, the PG-30/35 series can retain preset values even if the power is turned off.
- If an error message is detected, the display will come back and show the error message.
- You can change any functions during Non-Display [Temporary] Mode

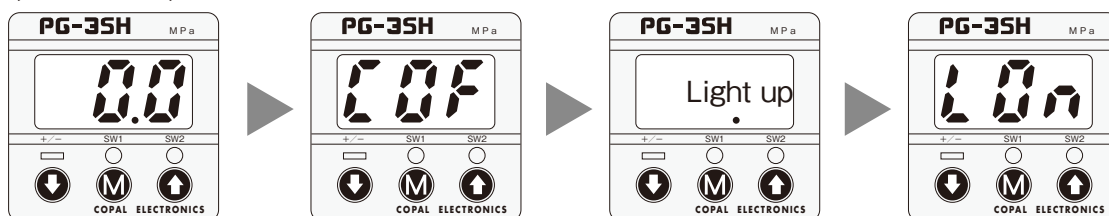


- To enable Non-Display [Temporary] Mode, press **⏻** key for more than 4 seconds. **5.0F** will be displayed and Non-Display [Temporary] Mode will be set After 10 seconds. display will go off.
- To disable Non-Display [Temporary] Mode, press **⏻** key for more than 4 seconds. **LOn** will be displayed and Non-Display [Temporary] Mode will be canceled.

〈Non-Display [Full-time] Mode〉

- In Non-Display [Full-time] Mode, the display will be turned off and the keys will be locked.
- Decimal point LED shown in the figure below will light up during Non-Display [Full-time] Mode.
- Using the EEPROM, PG-30/35 series can retain the preset values even if the power is turned off.
- You cannot change any functions during Non-Display [Full-time] Mode.

〈How to set〉



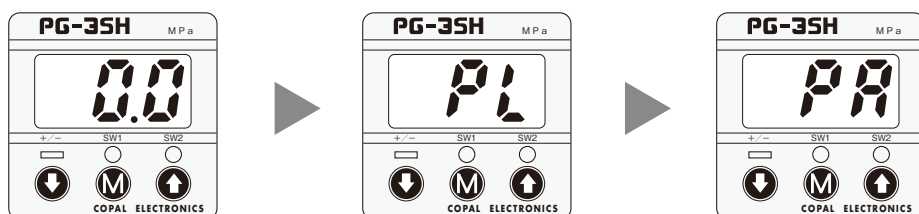
- To enable Non-Display [Full-time] Mode, press **M** key for more than 4 seconds. **0.0F** will be displayed and Non-Display [Full-time] Mode will be set. Display will turn off in a second.
- To disable Non-Display [Full-time] Mode, press **M** key for more than 4 seconds. **LOn** will be displayed and Non-Display [Full-time] Mode will be canceled.

Key Protection Mode

〈Key Protection Mode〉

- key Protection Mode is used to lock the front panel key in order to prevent preset values from being accidentally changed.
- Using EEPROM. the PG-30/35 series can retain the preset values even if the power is turned off.

〈How to set〉

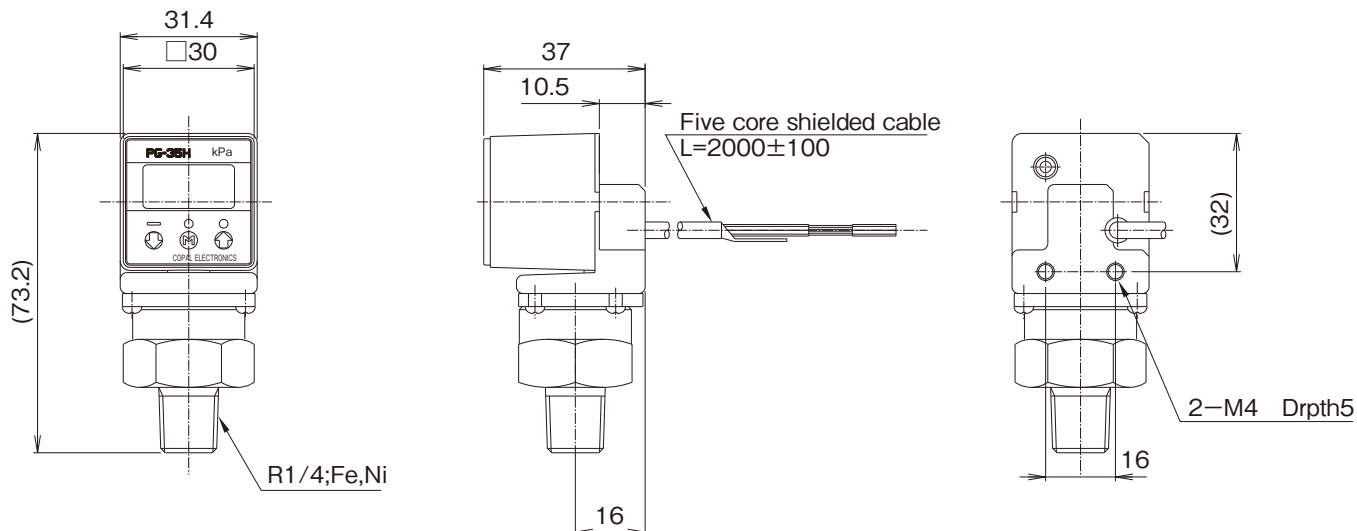


- To enable Key Protection Mode, press **⏻** key for more than 4 seconds. **PL** will be displayed and the keys will be locked.
- To disable Key Protection Mode, press **⏻** key for more than 4 seconds. **PR** will be displayed and the keys will be unlocked.

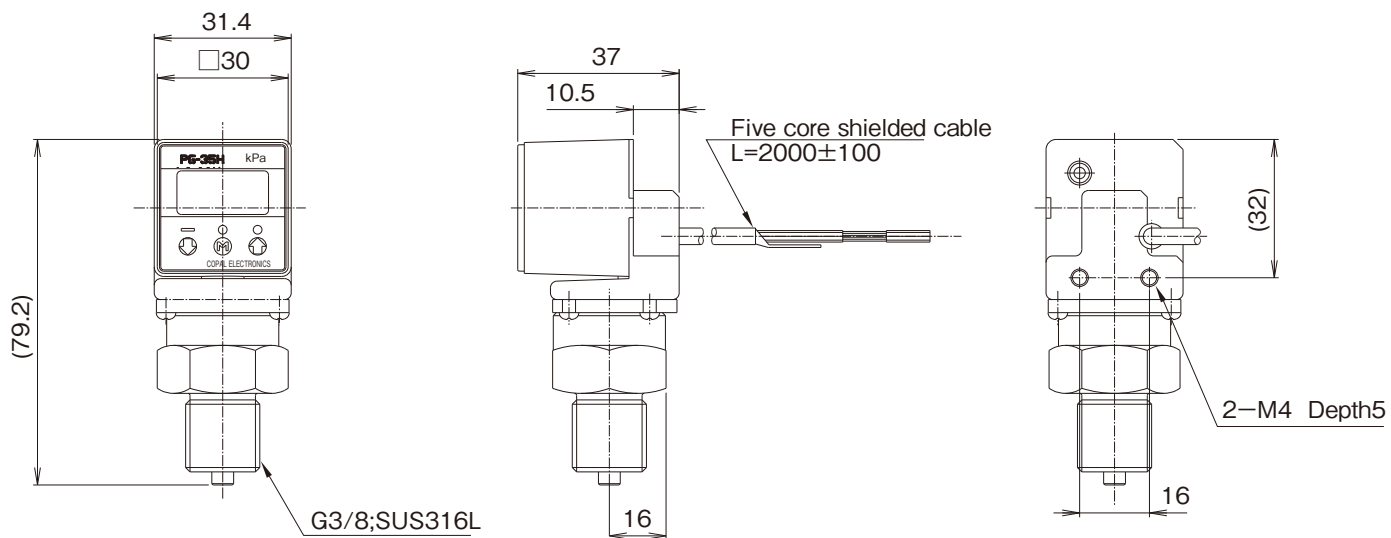
Outline Dimensions (Unit:mm)

PG-35H Outline Dimensions

Fitting part: R2 type

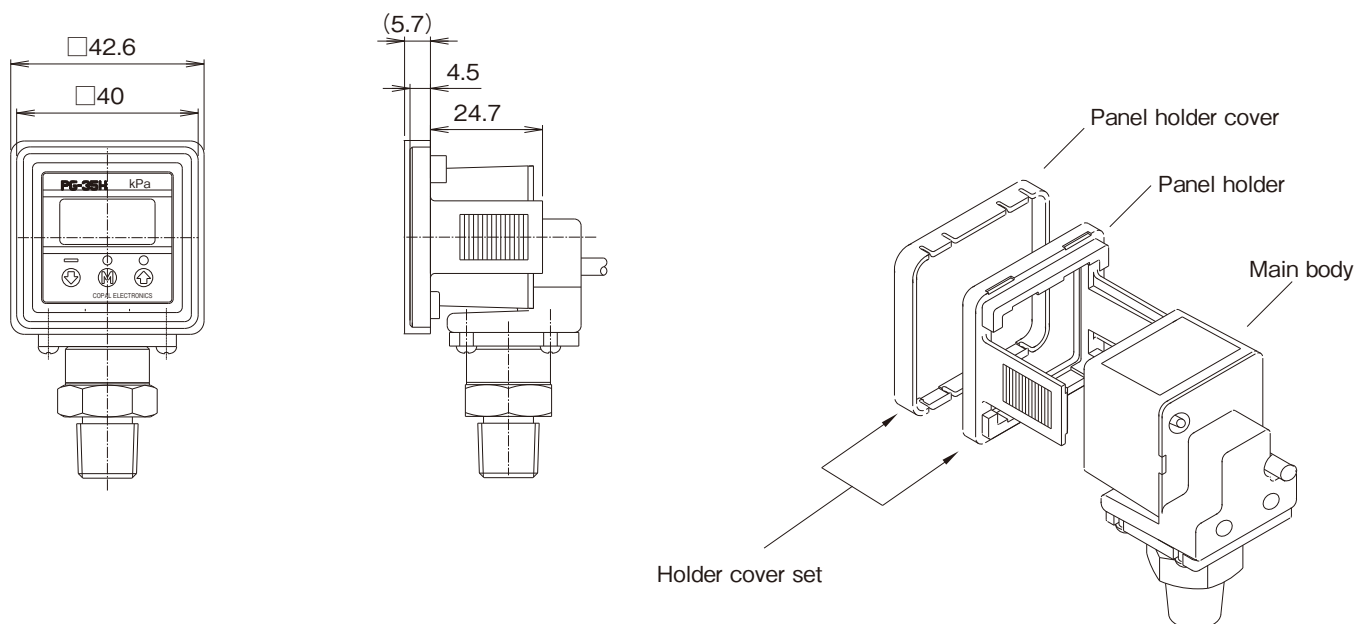


Fitting part: G3 type



Brackets (Option)

■ PG-35H Holder cover set (sold separately)



■ Accessories (Sold separately)

Product name	Model no.	Description	Applicable model
Holder cover set (for protection of gauge sides)	ACPG-004	Panel holder cover, panel holder	PG-30 / 35 PG-35H

(Note) Since this product contains small components, please handle this product carefully. Product can be damaged if an unwanted force is applied.

Model Numbers

