

PACKAGING

TRIMMER POTENTIOMETERS

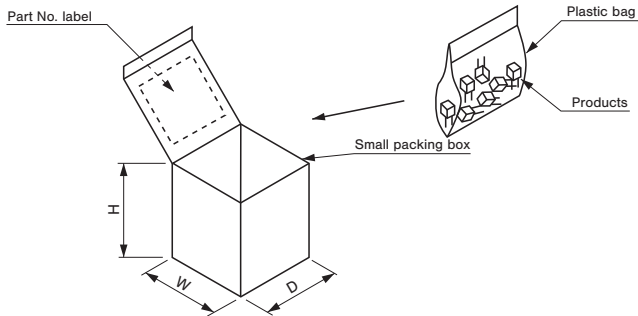
■ BULK PACKAGING SPECIFICATIONS IN PLASTIC BAGS & BOXES <Series of cermet trimmers in common>

Series name	Product shape	Maximum Q'ty/bag	Small packing box		
			Maximum Q'ty/small packing box	※ 1 W × H × D (mm) Dimensions	Gross weight(g)
ST-2	A	100	500	60 × 70 × 60	Approx.34.4
ST-32	EA, EB	100	500	60 × 70 × 60	Approx.38
	EG, EH				Approx.68
ST-4/42	EA, EB, EC, ED, EF	100	500	60 × 70 × 60	Approx.72
	EG, EH				Approx.130
ST-5	EW, EX, EP, ER	50	200	60 × 70 × 60	Approx.89
ST-7	EA, EB	50	200	60 × 70 × 60	Approx.67
SM-3/31	A, B, W	50	200	60 × 70 × 60	Approx.30
SM-42/43	A, B, W, X	50	200	60 × 70 × 60	Approx.47
RJ-4	EW	50	200	60 × 70 × 60	Approx.66
	EWS				Approx.85
CT-6	EP, EW, EV, ER	50	200	60 × 70 × 60	Approx.120
	ES, EX, EH, EN				Approx.148
	EF				Approx.107
FT-63	EP, EV	100	1000	60 × 145 × 155	Approx.570
	ES, EH, EX, EN				Approx.712
RJ-6	P, W	50	200	60 × 70 × 60	Approx.133
	S, X				Approx.176
	F				Approx.116
RJ-13	P	25	50	60 × 70 × 60	Approx.202
	B				Approx.294
	PR				Approx.123
	S				Approx.144
	SR				Approx.155
TM-7	EP, EW	50	200	60 × 70 × 60	Approx.118
	ES, EX				Approx.155
RJ-5	EW, EX, EP	50	200	60 × 70 × 60	Approx.90
CT-20	EP, EX	50	100	60 × 70 × 60	Approx.122
	EPB	25	50		Approx.200
CT-94	EP	50	100	60 × 70 × 60	Approx.107
	EW, EX, EY, EZ				Approx.110
CT-9	EP	50	100	60 × 70 × 60	Approx.107
	EW, EX				Approx.110
RJ-9	P, W, X	50	100	60 × 70 × 60	Approx.99

※ 1 Tolerance ± 2

PACKAGING

TRIMMER POTENTIOMETERS



Part No. label

Type	
Spec	
Quantity	
LOT No	
Date code	
MADE IN XXX	2D barcode
□□□□ (RoHS)	
NIDEC COMPONENTS	

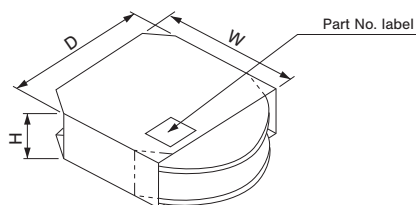
PACKAGING SPECIFICATIONS FOR TAPING TYPE (PLASTIC REEL) <Series of cermet trimmers in common>

Series name	Product shape	Q'ty/reel	Reel box		
			Maximum Q'ty/reel box	※ 1 W × H × D (mm) Dimensions	Gross weight(g)
ST-2	TA	500	1000	185 × 36 × 185	Approx.179
ST-32	ETA, ETB, ETD	500	2000	185 × 69 × 185	Approx.420
	ETG, ETH		500	260 × 20 × 260	Approx.277
ST-4/42	ETA, ETB, ETD	500	2000	185 × 69 × 185	Approx.563
	ETG, ETH		500	260 × 20 × 260	Approx.378
ST-5	ETP, ETR	500	500	260 × 24 × 260	Approx.477
	ETW, ETX			335 × 24 × 335	Approx.618
ST-7	ETA, ETB	500	500	260 × 24 × 260	Approx.429
SM-3/31	TA, TB, TW	500	2000	185 × 69 × 185	Approx.527
SM-42/43	TW	250	1000	185 × 46 × 188	Approx.544.4
	TX	250	1000		Approx.544.4
	TA, TB	500	1000	185 × 36 × 185	Approx.344

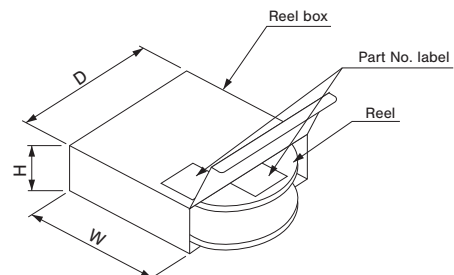
Note) Material of reel : Plastic (Polystyrene)

※ 1 Tolerance ± 10

ST-2, ST-32ETA, ST-32ETB, ST-4/42ETA, ST-4/42ETB, SM-3/31, SM-42/43 reel box



ST-32ETG, ST-32ETH, ST-4/42ETG, ST-4/42ETH, ST-5ETP/ETR/ETW/ETX, ST-7ETA/ETB reel box



PACKAGING

TRIMMER POTENTIOMETERS

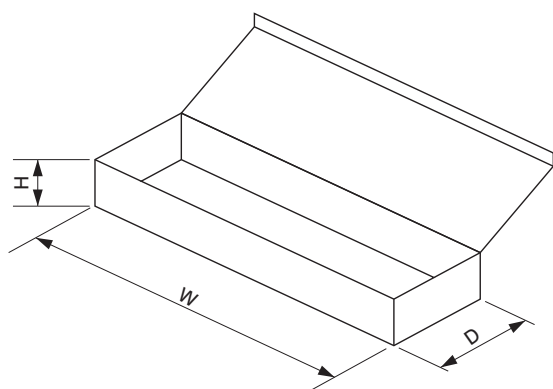
Part No. label

Type	
Spec	
Quantity	
LOT No	
Date code	
MADE IN XXX	2D barcode
□□□□ (RoHS)	
NIDEC COMPONENTS	

■ PACKAGING SPECIFICATIONS FOR MAGAZINE TYPE <Series of cermet trimmers in common>

Series name	Product shape	Q'ty/stick	Magazine box		
			Maximum Q'ty/magazine box	※ 1 Dimensions W × H × D (mm)	Gross weight(g)
ST-5	EMW, EMX, EMP, EMR	50	2000	385 × 55 × 70	Approx.1570
CT-6	EMP	75	3000	610 × 55 × 145	Approx.4980
	EMS				Approx.5810

※ 1 Tolerance ± 5



Part No. label

Type	
Spec	
Quantity	
LOT No	
Date code	
MADE IN XXX	2D barcode
□□□□ (RoHS)	
NIDEC COMPONENTS	