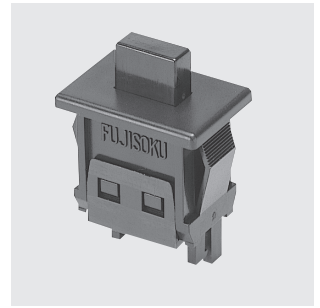


# SPB101

## Detect Switches



RoHS Compliant

### Features

#### 1. High contact reliability

The contacts feature the self-cleaning mechanism to ensure reliable contacting.

#### 2. Long stroke

Total travel of 5mm

#### 3. Snap-in mounting on panel.

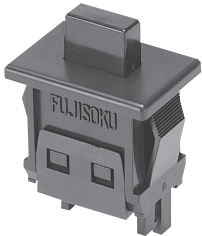
#### 4. Connector terminals

Recommended female connectors are shown in the specifications.

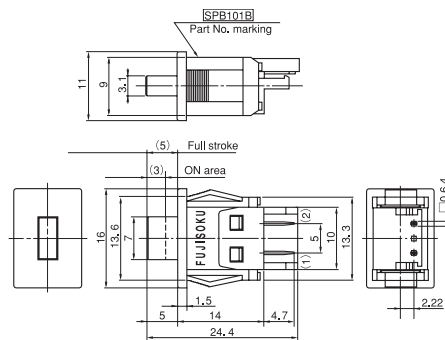
### Specifications

Contact plating		Silver plated	Gold plated
Rating	Max.	50mA 48VDC	(Resistive load)
	Min.	0.5mA 20mVDC (Resistive load)	1μA 20mVDC (Resistive load)
Initial contact resistance		100mΩ max.	(1.5mA 200μVAC)
Dielectric strength		500VAC 1minute	
Insulation resistance		100MΩ Min.	(500VDC)
Electrical life		50,000 operations	
Operating force		1.47~2.94N	
Stroke		5mm (Non-click feeling)	
Operating temperature range		-25~+85°C	
Recommended connectors		J.S.T MFG CO.,LTD.EHR-3 (SPB101BG) EHR-2 (SPB101B-1,SPB101C-1, SPB101CG-1)	

#### SPB101BG (Gold plated)



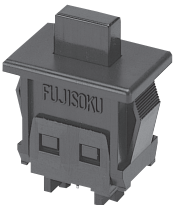
Female connector EHR-3 J.S.T MFG CO.,LTD.



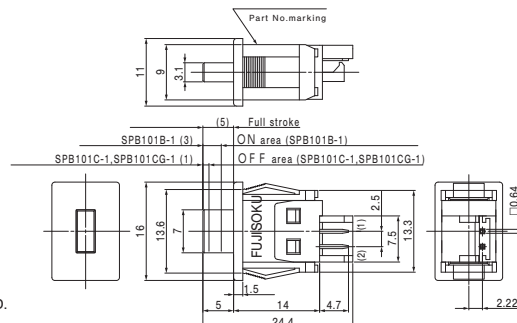
#### SPB101B-1 (Silver plated)

#### SPB101C-1 (Silver plated)

#### SPB101CG-1 (Gold plated)

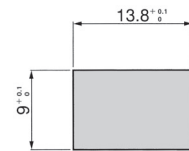


Female connector EHR-2 J.S.T MFG CO.,LTD.



Part No.	Switching function	
★SPB101BG	ON	(OFF)
★SPB101B-1	ON	(OFF)
Connecting terminals	1-2	—
Circuit diagram		
SPB101C-1	OFF	(ON)
▲SPB101CG-1	OFF	(ON)
Connecting terminals	—	1-2
Circuit diagram		

### Panel Cut-out Dimensions



Panel thickness: 1~2mm

The edges on the back of the cut-out panel should be squared so that the switch box bites the panel firmly.