

SP101

Pushbutton Switches

RoHS Compliant



Features

1. Sharp Tactile Feel

Snap action mechanism provides light tactile feel.

2. Gold-Plated Contacts for Low Current Applications

3. Compatible with PC Board Mount and Snap-in Panel Mount

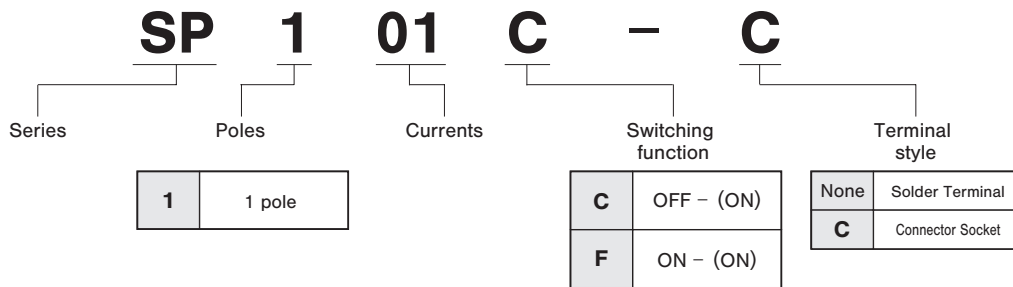
4. 3 Types of Terminals

Terminal styles are available in Solder terminal, and connector socket (EHR-5 from JST).

Specifications

Rating	60 mA 30 VDC Max.	
Initial contact resistance	50 mΩ max.	(1.5 mA 200 μVAC)
Dielectric strength	500 VAC 1 minute	
Initial insulation resistance	1,000 MΩ min.	(500 VDC)
Electrical life	50,000 operations	
Operating force	2.94±0.98N	
Operating temperature range	-20~+85°C	
Storage temperature range	-40~+85°C	

Part Numbering



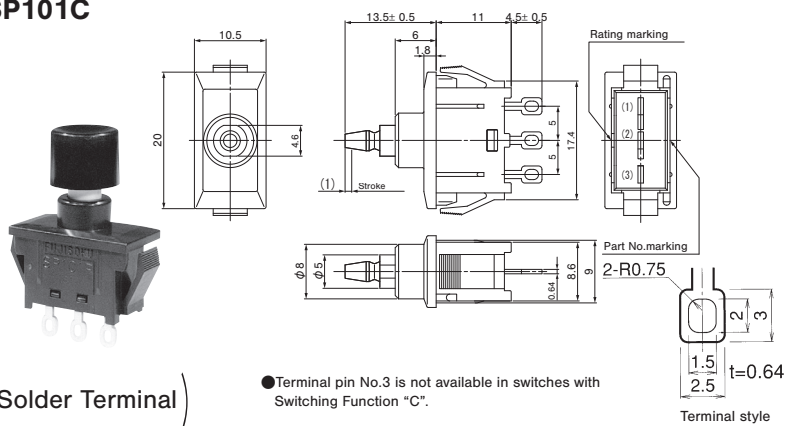
Optional Accessories

Part Name		Color Button		
Dimension A		φ 8	φ 10	φ 15
Dimension B		7.5	8	10
 (Polyamide resin)	White	140000481420	140000480082	140000480088
	Red	140000481421	140000480083	140000480089
	Black	140000481422	140000480081	140000480090
	Gray	140000481423	140000480084	140000480091

Table of Part Numbers

Terminal style	Switching function	
	OFF - (ON)	ON - (ON)
Solder Terminal	★SP101C	—
Connector Socket	—	SP101F-C

SP101C

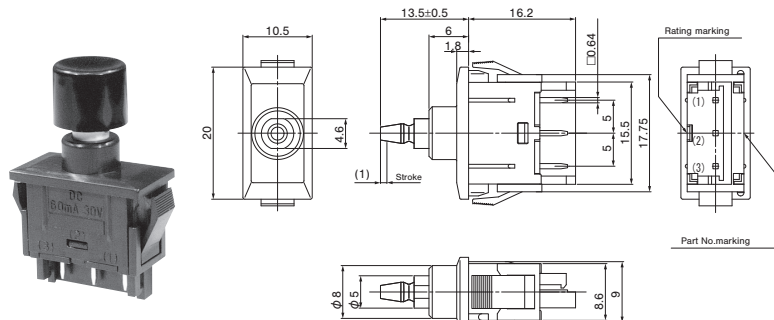


(Solder Terminal)

Switching function		
Part No.	SP101C	
Connecting terminals	—	1-2
Part No.		SP101F-C
Connecting terminals	1-3	1-2

((ON) : Momentary.

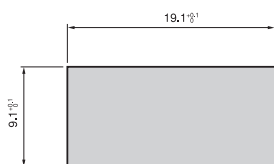
SP101F-C



(Connector Socket)

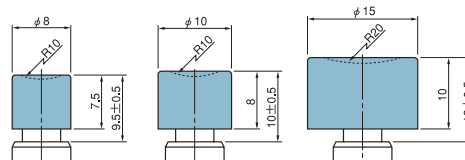
Panel Cut-Out Dimensions

Panel thickness : 1~2 mm



The edges on the back of the cut-out panel should be squared so that the switch box bites the panel firmly.

Color Button Mounting Dimensions



Soldering Specifications

(1) Manual Soldering

Device: Soldering iron
380°C, Max.; 3 seconds, Max.

Flux Cleaning

- (1) Solvent :Fluorine or Alcohol type.
- (2) The SP101 series are not washable. To wash the PC board, clean the soldering surface of the PC board with a brush so that the switch is not exposed to the cleaning solution.