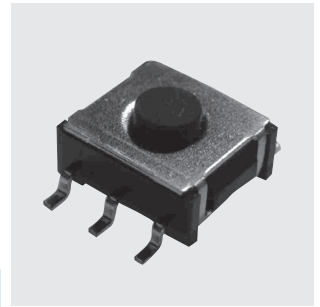


SMT1

Surface Mount Tactile Switches

Washable



RoHS Compliant

■ Features

1. Compatible With Lead-Free, Reflow Soldering

Heat-resistance resin for lead-free soldering.

2. Washable

3. 180° Symmetric Terminal Pin Layout.

4. Anti-Static Electricity

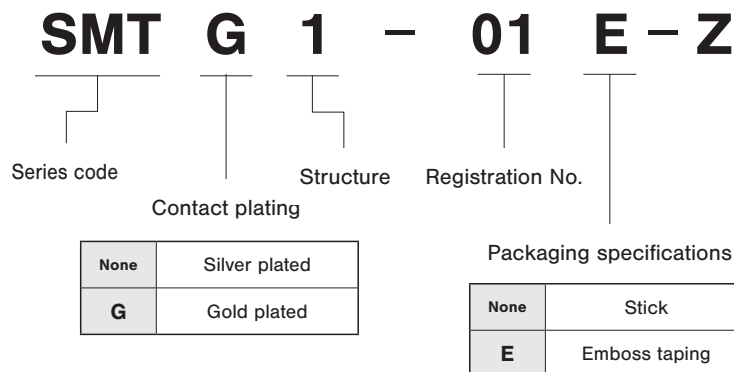
Ground terminal is provided to prevent damage to element caused by static electricity.

5. Metal contact for sharp tactile feel.

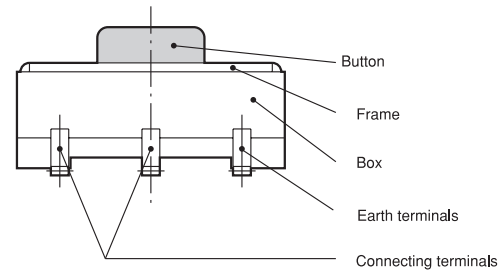
■ Specifications

Contact plating		Silver plated	Gold plated
Rating	Max.	1 VA Max. (50 mA max.48 VDC max.)	
	Min.	0.5 mA 20 mVDC	10 μA 20 mVDC
Initial contact resistance		100 mΩ Max. [1.5 mA 200 μVAC at 1.96 N {200 gf} force]	
Dielectric strength		250 VAC 1 minute	
Insulation resistance		100 MΩ min.(100 VDC)	
Electrical life		1,000,000 operations	
Stroke		0.5±0.3 mm	
Operating force		1.96±0.98 N	
Operating temperature range		-25~+70°C	
Storage temperature range		-40~+70°C	

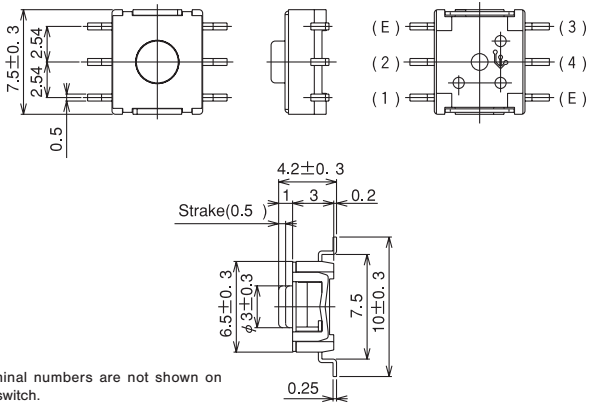
■ Part Numbering



■ Structure



SPST



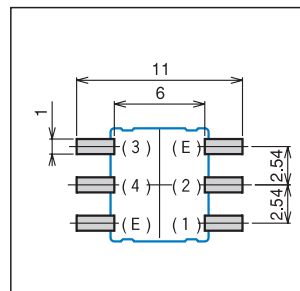
Part No.	Switching function		Circuit diagrams
	OFF	Push (ON)	
SMT1-01-Z SMTG1-01-Z	OFF	(ON)	
Connecting terminals	—	(2) — (1) (3) — (4)	

(ON) : Momentary

Table of Part Numbers

Contact plating	Part No.
Silver plated	SMT1-01-Z SMT1-01E-Z
Gold plated	SMTG1-01-Z SMTG1-01E-Z

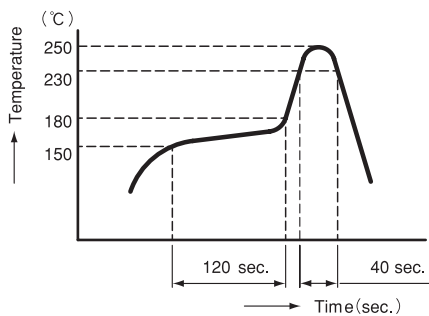
Pad Layouts



Terminal (E) to be connected to Ground. Terminal (E) is connected to the metal frame.

Soldering Specifications

- (1) Manual Soldering
Device : Soldering iron
① 380°C ±10°C; 3±0.5 seconds
- (2) Reflow Soldering
Device : Inline or batch system



- Apply reflow soldering only once

Flux Cleaning

- (1) Solvent: Fluorine or Alcohol type Cleaning with other solvents or water is not possible.
- (2) Cleaning after soldering should be done after the terminal temperature falls to 90°C or below, or after leaving the switch for five minutes or longer at room temperature. Cleaning temperature: 43°C, max.
- (3) Do not use ultrasonic cleaning.

Packaging Specifications

Stick specification	Emboss taping specification
<p>50 pcs/stick</p> <p>SMT1-01-Z SMTG1-01-Z</p> <p>φ=400</p>	<p>1,000 pcs/reel</p> <p>SMT1-01E SMTG1-01E</p>

Minimum packaging quantity for reel packaging is 1,000pcs per reel.