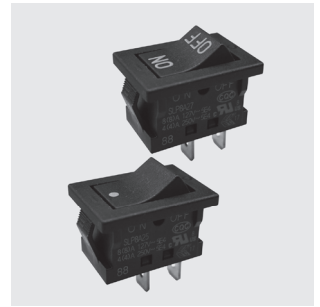


SLP8A

Dustproof

RoHS Compliant



AC Rated Miniature Rocker Switches

CQC

C-US UL

ENEC

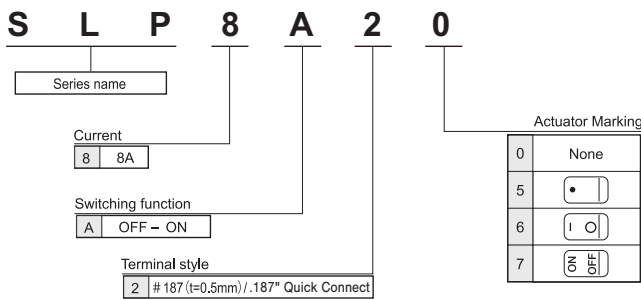
Features

1. Electrical life of 50,000 cycles
2. Compact size
3. Four actuator marking options
4. cUL Recognized
5. CQC and ENEC certified products.

Specifications

Rating	8(8)A 127 VAC~5E4 4(4)A 250 VAC~5E4
Initial contact resistance	30 mΩ max. (1A 2~4V DC)
Dielectric strength	1500 VAC 1 minute
Insulation resistance	100 MΩ min. (500 VDC)
Operating force	4±2 N
Electrical life	50,000 cycles
Operating temperature range	-10°C~+65°C
Storage temperature range	-25°C~+80°C

Part Number Designation

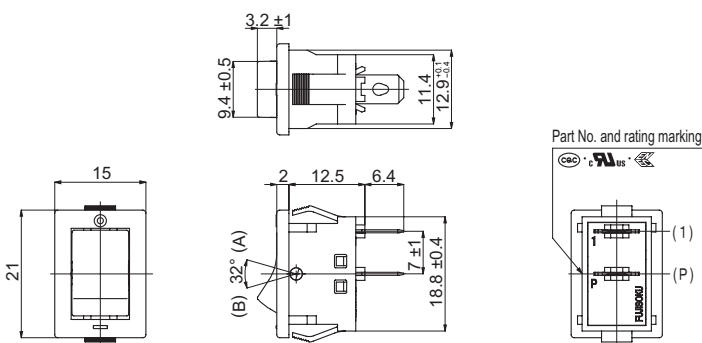


List of Part Numbers

Part No.	Actuator marking	Switching function	Terminal style
SLP8A20	None	OFF-ON	#187 (t=0.5mm) .187" Quick Connect
SLP8A25	•		
SLP8A26	I O		
SLP8A27	ON OFF		

Outline Dimensions

Unless otherwise specified, tolerance : ± 0.3 (Unit : mm)



Switching Function

Switching function			Number of terminals
Connecting terminal	Schematic		
A pos.	B pos.		2
OFF	ON		
—	P-1		

Panel Cut-Out Dimensions

(Unit : mm)

Panel thickness	X
0.75 ~ 1.25	19.2
1.25 ~ 2.50	19.4