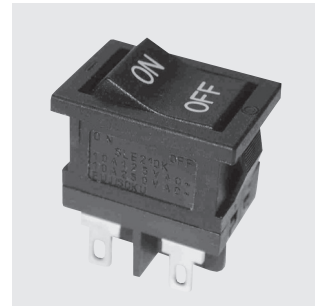


# SLE210K

Dust Proof

RoHS Compliant



## Miniature Power Rocker Switches

C-US UL

SEMKO

### Features

1. C-US UL and SEMKO approved products
2. Snap-in panel mounting
3. Compact size is suited for space-saving design.
4. Best suited for power supply of equipment.
5. Dust-proof type
6. 100 A rush current type.
7. Breaking distance is 3 mm or over.

### Specifications

Rating	Load	Inductive load				Resistive load 10A 125VAC 10A 250VAC (p.f.=1.0)
	Inrush current (p.f.=0.6)	125VAC		250VAC		
		Break current (p.f.=0.9)	100A	60A	100A	
	10A		10A	10A	10A	
Min.	10mA 5VAC/DC				(Resistive load)	
C-US UL	125VAC 6A /250VAC 6A				(Resistive load)	
Initial contact resistance	20mΩ max.				(1A 1~2VDC)	
Initial dielectric strength	1500VAC 1 minute					
Initial insulation resistance	100MΩ min. (500VDC)					
Electrical life(cycles)	5,000	10,000	5,000	10,000	10,000	
Operating force	3.92~12.7N					
Operating temperature range	-25~+85°C					
Storage temperature range	-40~+85°C					

### Part Numbering

**SLE**

Series code

**2**

Poles

**2** 2-poles

**10**

Current

**10** 10 A

**K**

Switching function

**K** ON-OFF

**2**

Terminal style

Blank	Solder Terminal
<b>2</b>	TAB#187 (t=0.8)
4	R/A Right Angle Terminal
<b>11</b>	VM Vertical Mounting Terminal

**5**

Rocker design

Blank	
<b>5</b>	
6	
7	
9	

★ : The combination marked in blue brackets shows made-to-order products.

### Marking Color

Frame color • Rocker color	Making color
Black	White

### Handling Precautions

#### 1. Soldering Specifications

##### (1) Manual Soldering

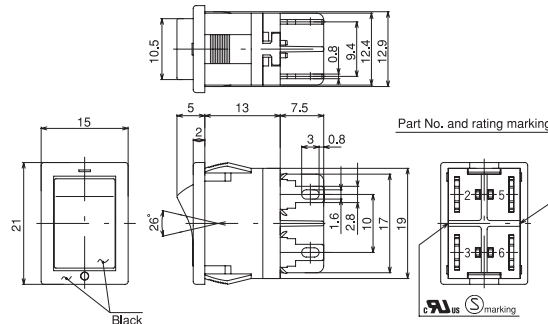
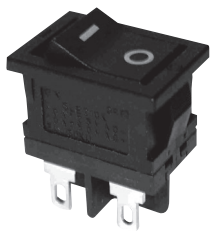
Device : Soldering iron  
380°C, Max.; 3 seconds, Max.

※The tab terminals cannot be soldered.

Table of Part Numbers

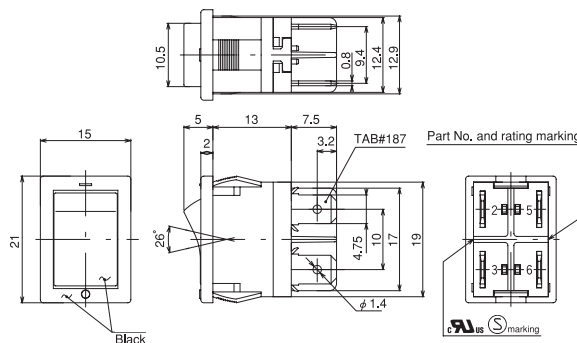
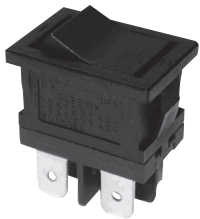
Frame color and rocker color	Marking color	Switching function	Terminal styles	Part number and rating marking side				
Black	White	ON-OFF	Solder Terminal	☆SLE210K	★SLE210K-5	SLE210K-6	★SLE210K-7	SLE210K-9
			#187 TAB	SLE210K2	SLE210K2-5	SLE210K2-6	SLE210K2-7	SLE210K2-9
			Right Angle Terminal	★SLE210K4	-	☆SLE210K4-6	-	-
			Vertical Mounting Terminal	-	-	★SLE210K11-6	-	-

Solder Terminal

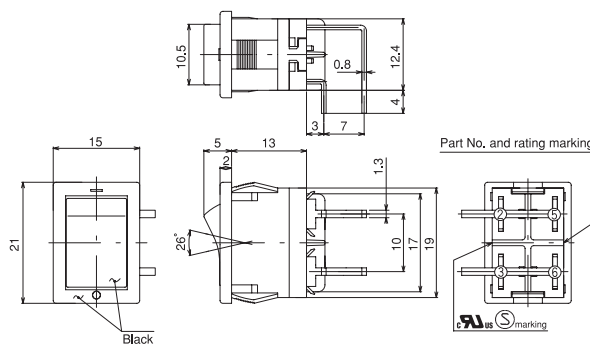
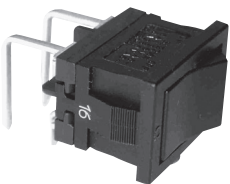


Switching function	Viewed from part No. & rating marking side	
Part No.	ON	OFF
Connecting terminals	2-3 5-6	-

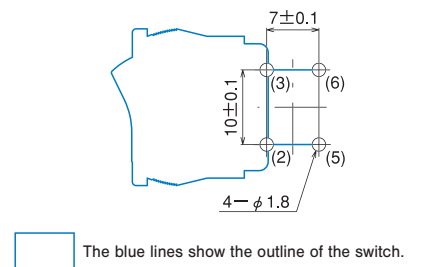
(t=0.8) TAB#187 Terminal



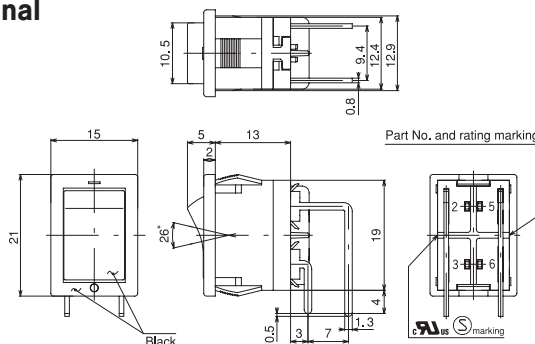
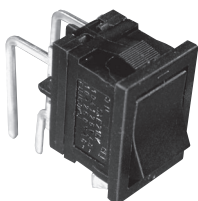
Right Angle Terminal



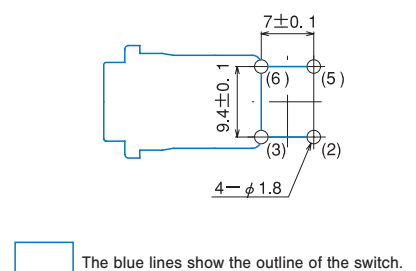
PC Hole Layouts (Top view)



Vertical Mounting Terminal



PC Hole Layouts (Top view)

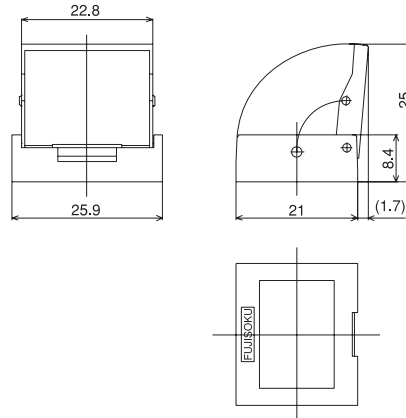


☆ : Semi-standard products.

★ : Made to order products.

● Terminal numbers are shown on the bottom of the switch.

**Switch Guard** Dedicated for use of rocker switches



**Features**

Clear visibility and one-touch mounting to save labor

**Application**

Best suited for protection of malfunction of miniature rocker switches (panel cutout: 19.2 x 12.9mm)

**Specifications**

Part Name: Switch guard  
 Part Number: 140007250027  
 Color: Black (transparent cover)

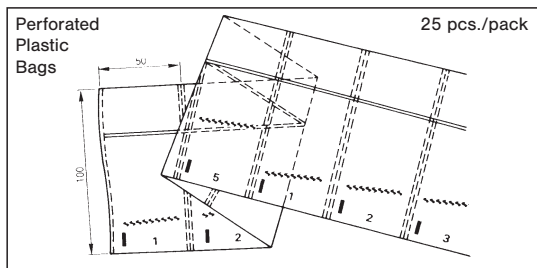
An application switch	●SLE6 series	●SLE10 series
	●SL10K series	●SLE210K series

※The switch guard cannot be used for the SLE10K series, SLE210K right angle terminal.

**Approvals**

UL File No.E43275  
 SEMKO File No. SE-S-2002358

**Packaging Specification**



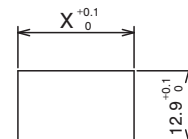
**Panel Cut-Out Dimensions**

Switches

Panel thickness	X
0.75~1.25	19.2
1.25~2.0	19.4
2.0~3.0	19.8

Switch Guard Installation

Panel thickness	X
0.75~1.4	19.4
1.4~2.3	19.8



**Precautions for Panel**

The edges on the back of the cut-out panel should be squared so that the switch box bites the panel firmly. When the panel is coated, pay attention that the coating will not retain around the edge. Do not reuse the switch that was once mounted on a panel.

