

SL10K

Miniature Power Rocker Switches

UL

CSA

VDE

RoHS Compliant



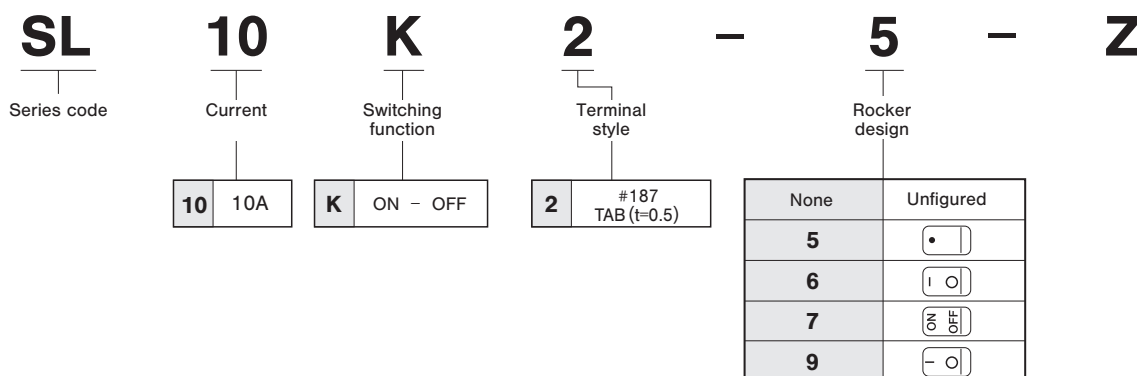
■ Features

1. UL , CSA and VDE approved products.
2. Snap-in panel mounting
3. Compact size is suited for space-saving design.
4. Best suited for power supply of equipment.
5. 100 A rush current type.
6. Breaking distance is 3 mm or over.

■ Specifications

| Rating | Load | Inductive load | | | | Resistive load | |
|-----------------------------|---|----------------|--------|---------|--------|----------------|------|
| | Inrush current (p.f.=0.6) | 125 VAC | | 250 VAC | | | |
| | | | 100 A | 60 A | 60 A | | 36 A |
| | Break current (p.f.=0.9) | 10 A | 10 A | 6 A | 6 A | | |
| Min. rating | 10mA 5V AC/DC | | | | | | |
| Initial contact resistance | 20mΩ max. (1 A 2~4 VDC) | | | | | | |
| Dielectric strength | 1500 VAC 1 minute (Between terminals) | | | | | | |
| Insulation resistance | 100 MΩ min(500 VDC) (Between terminals) | | | | | | |
| Electrical life (cycles) | 10,000 | 20,000 | 10,000 | 20,000 | 20,000 | | |
| Operating force | 3.92~12.7 N | | | | | | |
| Operating temperature range | -25~+85°C | | | | | | |
| Storage temperature range | -40~+85°C | | | | | | |

■ Part Numbering

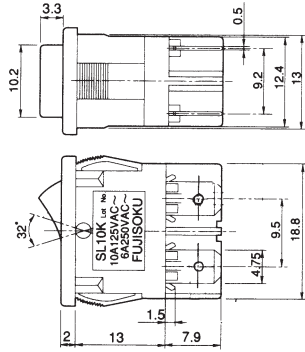
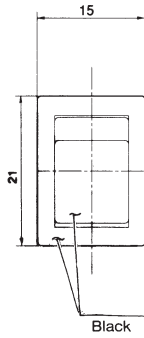


■ Table of Part Numbers

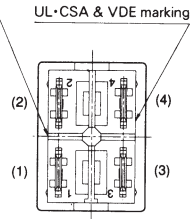
| Frame color and rocker color | Terminal styles | Switching function | Part No. and rating marking side | | | | |
|------------------------------|-----------------|--------------------|----------------------------------|------------|------------|------------|-------------|
| Black | TAB | ON-OFF | | | | | |
| | | | ☆SL10K2-Z | SL10K2-5-Z | SL10K2-6-Z | SL10K2-7-Z | ★SL10K2-9-Z |

SL10K

SL10K2-Z DPST



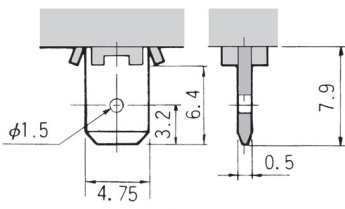
Part number and rating marking side



| Switching function | Viewed from part No. & rating marking side | |
|----------------------|--|-----|
| | | |
| Part No. | | |
| SL10K2-Z | ON | OFF |
| SL10K2-5-Z | | |
| SL10K2-6-Z | | |
| SL10K2-7-Z | | |
| SL10K2-9-Z | | |
| Connecting terminals | 1-2 3-4 | - |

Terminal numbers are shown on the bottom of the switch.

Terminal Style

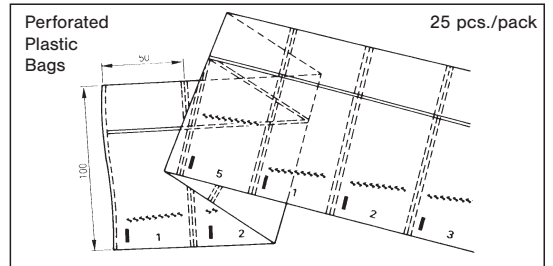


Silver plated
TAB#187

Approvals

UL File No.E43275
CSA File No.LR38341
VDE License No.40024519
(SL10K·SLE10K)

Packaging Specification



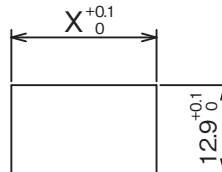
Panel Cut-Out Dimensions

Switches

| Panel thickness | X |
|-----------------|------|
| 0.75~1.25 | 19.2 |
| 1.25~3.5 | 19.4 |

Switch Guard Installation

| Panel thickness | X |
|-----------------|------|
| 0.75~2.8 | 19.4 |



Handling Precautions

1. Soldering Specifications

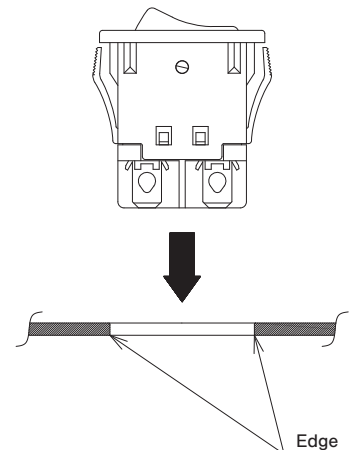
(1) Manual Soldering

Device : Soldering iron

380°C, Max.; 3 seconds, Max.

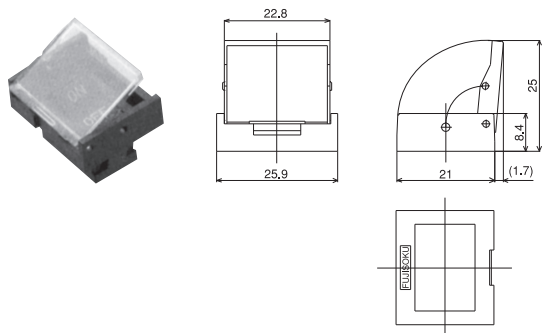
Precautions for Panel

The edges on the back of the cut-out panel should be squared so that the switch box bites the panel firmly. When the panel is coated, pay attention that the coating will not retain around the edge. Do not reuse the switch that was once mounted on a panel.



Switch Guard

Dedicated for use of rocker switches



Features

Clear visibility and one-touch mounting to save labor.

Uses

Small Rocker Switch

Best suited for malfunction prevention of miniature rocker switches (panel cutout dimensions: 19.2 x 12.9)

Specifications

Part Name : Switch guard

Part Number : 140007250027

Color : Black (transparent cover)