

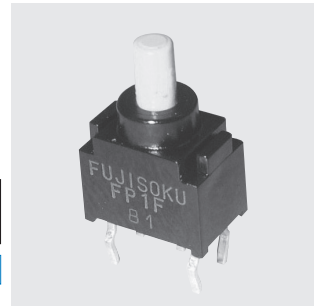
FP

- Terminal Pins: Kinked
- Actuator Color: Yellow

Ultra-Miniature Pushbutton Switches

Washable

RoHS Compliant



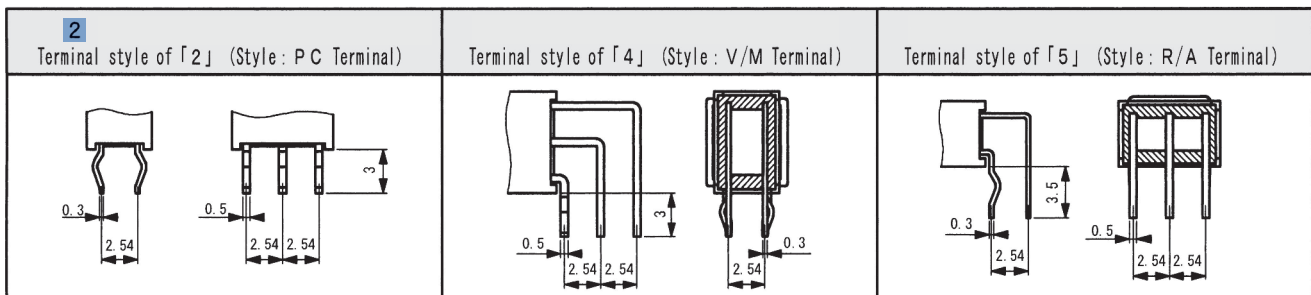
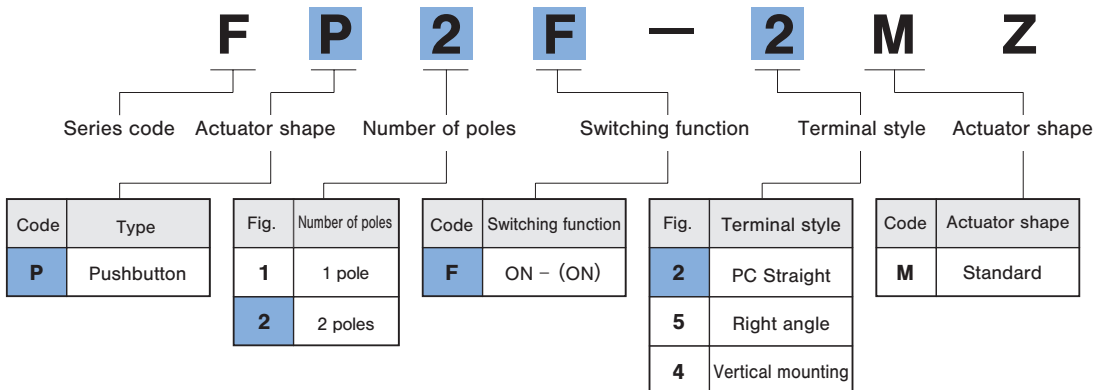
Features

1. Ultra-miniature pushbutton switch for high density mounting.
2. Washable.
3. Terminal pin pitch: 2.54 mm.
4. Independent detent mechanism ensures light operational feel.
5. Clip contact mechanism for long-term contact reliability.
6. Gold-plated contacts.

Specification

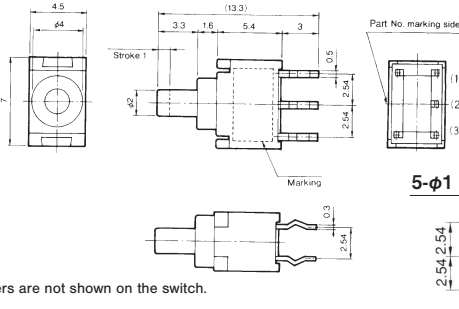
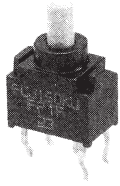
Rating	Max.	0.4VA (28VDC max.)
	Min.	1μA 20mVDC
Initial contact resistance	100mΩmax.	(1.5mA 200μVAC)
Dielectric strength	250VAC 1 minute	
Insulation resistance	500MΩ min.	(250VDC)
Electrical life	10,000 operations at max.rating, 30,000 operations at min.rating.	
Mechanical life	30,000 cycles	
Operating force	1.47 ± 0.98N	
Operating temperature range	-40~+85°C	
Storage temperature range	-40~+85°C	

Part Numbering



SPDT

PC



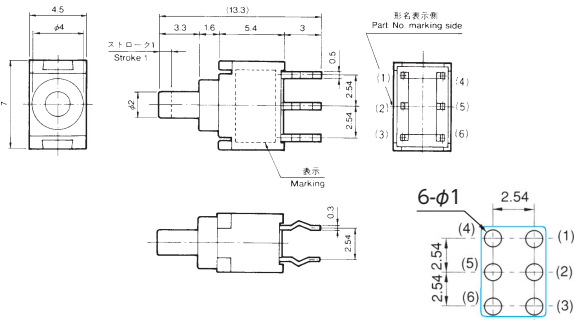
Terminal numbers are not shown on the switch.

Switching function		
Part No.	FP1F-2M-Z	(ON)
Connecting terminals	2-3	2-1

(Top view)
PC Hole Layouts

DPDT

PC



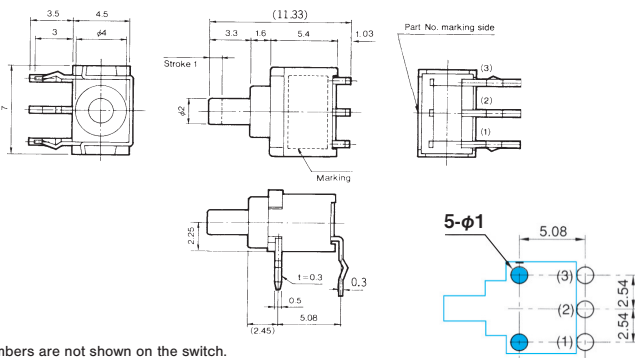
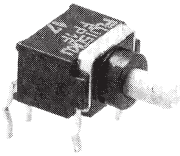
Terminal numbers are not shown on the switch.

Switching function		
Part No.	★ FP2F-2M-Z	(ON)
Connecting terminals	2-3 5-6	2-1 5-4

(Top view)
PC Hole Layouts

SPDT

R/A



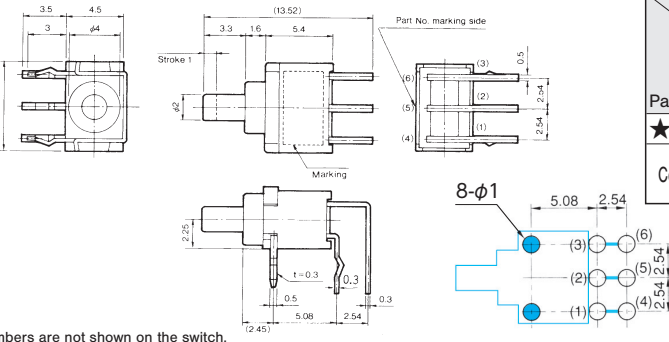
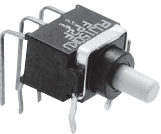
Terminal numbers are not shown on the switch.

Switching function		
Part No.	FP1F-5M-Z	(ON)
Connecting terminals	2-3	2-1

(Top view)
PC Hole Layouts

DPDT

R/A



Terminal numbers are not shown on the switch.

Switching function		
Part No.	★ FP2F-5M-Z	(ON)
Connecting terminals	2-3 5-6	2-1 5-4

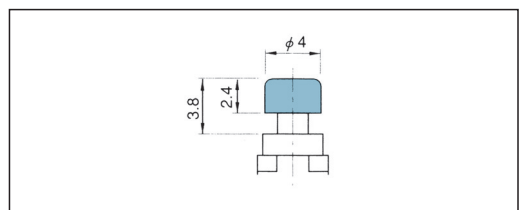
(Top view)
PC Hole Layouts

Optional Accessories

《Sold separately》

Part Name	Dimension	Color	Part Number
Color Cap	<p>ABS resin</p>	White	140000481453
		Red	140000481452
		Black	140000481451
		Gray	140000481450

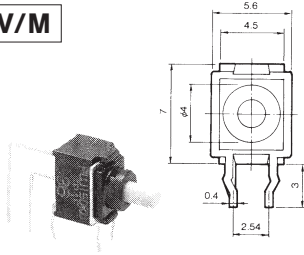
Color Cap Mounting



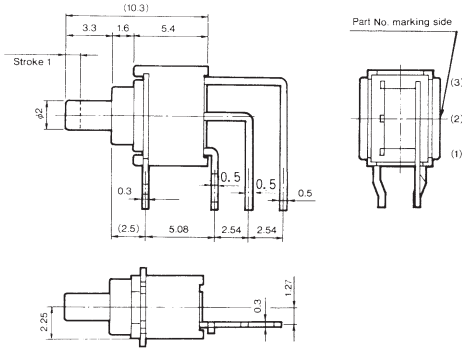
:Optional Accessories. The blue line shows the outline of the switch. (ON) : Momentary. ★ : Made to order products.

SPDT

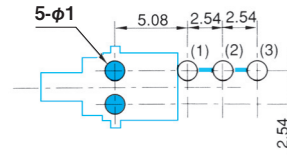
V/M



Terminal numbers are not shown on the switch.



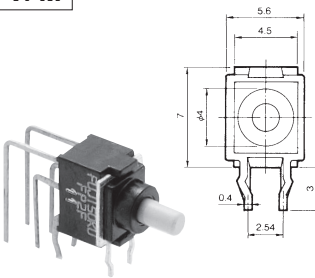
Switching function		
Part No.	ON	(ON)
Connecting terminals	2-3	2-1



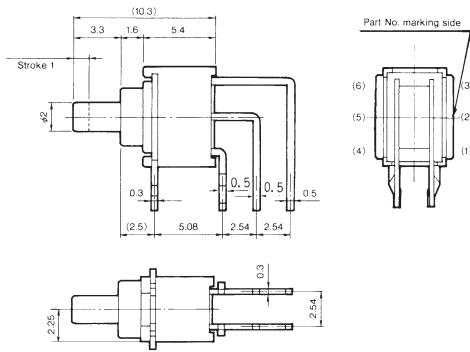
(Top view)
PC Hole Layouts

DPDT

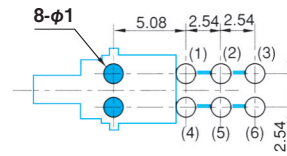
V/M



Terminal numbers are not shown on the switch.



Switching function		
Part No.	ON	(ON)
Connecting terminals	2-3 5-6	2-1 5-4



(Top view)
PC Hole Layouts

Handling Precautions (FP, FT, FL)

1. Soldering Specifications

(1)Manual Soldering

Device : Soldering iron
380°C, Max.; 3 seconds, Max.

(2)Auto soldering

Device : Jet wave type or dip type
275°C, Max.; 6 seconds, Max.
• Pre-heating should be done at temperatures from 80 to 120°C and within 120 seconds.

(3)When soldering two or more terminals to the common land, use solder resist to solder them independently.

2. Flux Cleaning

- (1)Solvents :Fluorine or Alcohol type
- (2)Cleaning after soldering should be done after the PC board is exposed to room temperature (30°C or below) for 1 to 2 hours.
- (3)Do not use ultrasonic cleaning.

Packaging Specifications

