

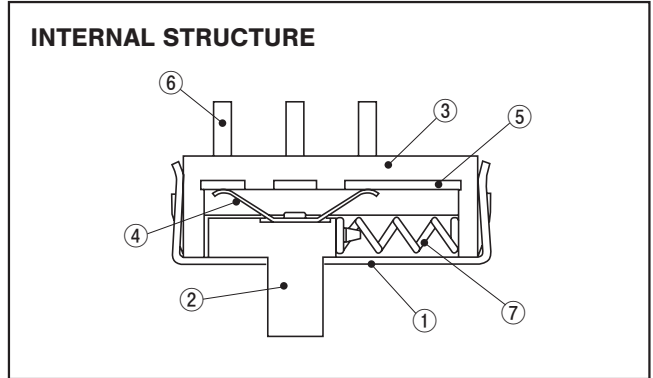


## FEATURES

- Low-profile of 2 mm
- Self-return type available
- RoHS compliant
- Resin material is UL Recognized 94V-0

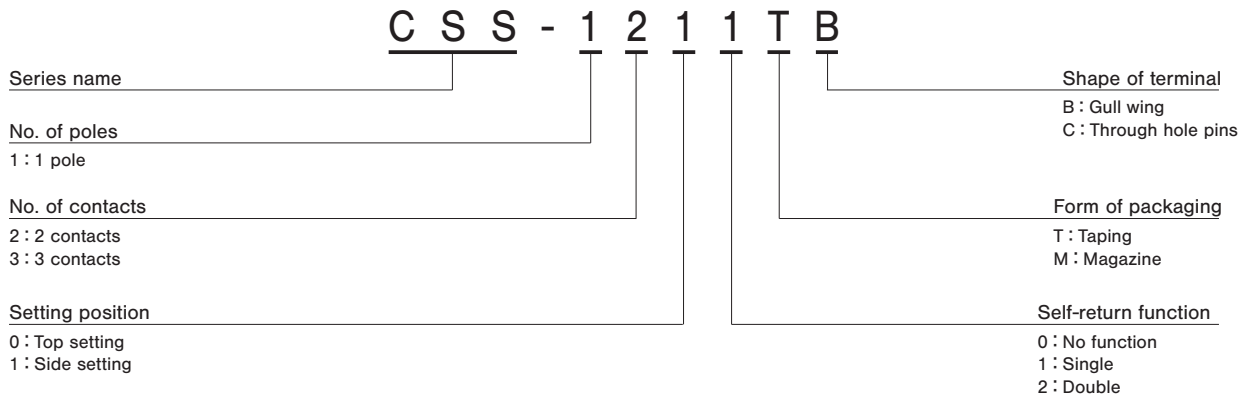
## APPLICATIONS

- Mobile stereo · LCD TV · Camcorder



Part name	Material
① Cover	Stainless steel (SUS 304)
② Slider	Liquid Crystal polymer
③ Housing	
④ Slider contact	Copper alloy, Gold-plated
⑤ Fixed contact	
⑥ Terminal pin	SWP
⑦ Return spring	

## PART NUMBER DESIGNATION



※ Please refer to the LIST OF PART NUMBERS when placing orders.

## LIST OF PART NUMBERS

No. of contacts	Setting position	Self-return function	Shape of terminal	Form of packaging	Part number	Packaging quantity
2	Side setting	No function	B (Gull wing)	Taping	CSS-1210TB	1,900 pcs./reel
			C (Through hole pins)	Magazine	CSS-1210MC	53 pcs./stick
		Single	B (Gull wing)	Taping	CSS-1211TB	1,900 pcs./reel
			C (Through hole pins)	Magazine	CSS-1211MC	53 pcs./stick
3	Side setting	No function	B (Gull wing)	Taping	CSS-1310TB	1,900 pcs./reel
			C (Through hole pins)	Magazine	CSS-1310MC	38 pcs./stick
		Single	B (Gull wing)	Taping	CSS-1311TB	1,900 pcs./reel
			C (Through hole pins)	Magazine	CSS-1311MC	38 pcs./stick
		Double	B (Gull wing)	Taping	CSS-1312TB	1,900 pcs./reel
			C (Through hole pins)	Magazine	CSS-1312MC	38 pcs./stick
	Top setting	No function	C (Through hole pins)	Magazine	CSS-1300MC	38 pcs./stick
		Double	C (Through hole pins)	Magazine	CSS-1302MC	38 pcs./stick

## STANDARD SPECIFICATIONS

Operating temp. range	- 20 ~ 70 °C
Storage temp. range	- 40 ~ 85 °C
Sealing	Non- Washable
Net weight	Approx. 0.11 g (CSS-12), Approx. 0.15 g (CSS-13)

## ELECTRICAL CHARACTERISTICS

Contact rating	Non-switching : DC50 V , 100 mA Switching : DC12 V , 100 mA Minimum : DC20 mV , 1 μA
Contact timing	Non-shorting
Contact resistance	70 mΩ maximum
Insulation resistance	100 MΩ minimum (DC500 V)
Dielectric strength	AC500 V , 60 s

## MECHANICAL CHARACTERISTICS

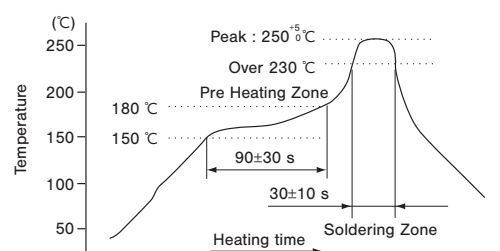
No. of positions	2, 3
Stroke	2 mm
Operating force	1 ~ 3.5 N {0.1 ~ 0.36 kgf}
Stop strength	10 N {1.02 kgf} 15 s
Solderability	245 ± 3 °C 2 ~ 3 s Sn-3Ag-0.5Cu
Soldering heat	Reflow : 250 ~ 255 °C (Peak temperature) (Please refer to the profile below)
	Manual soldering : 350 ± 10 °C, 3 ~ 4 s
Shear (Adhesion)	5 N {0.5 kgf} 10 s
Substrate bending	Width 90 mm, bend 3 mm, 5 s, 1 time
Pull-off strength	5 N {0.5 kgf} 10 s

{ } : Reference only

## ENVIRONMENTAL CHARACTERISTICS

Vibration	1.5 mm 、 98 m/s <sup>2</sup> 、 10-500-10 Hz Amplitude 1.5 mm or Acceleration 98 m/s <sup>2</sup> 、 10-500-10 Hz, 3 directions for 10 cycles each
Shock	490 m/s <sup>2</sup> , 11 ms, 6 directions for 3 times each
Load life	Continuous load 10000 cycles, DC12 ± 0.5 V, 100 ± 10 mA
Humidity	40 °C, 90 ~ 95 %、240 h 40 °C, Relative humidity 90 ~ 95 %, 240 h, No load
High temp. exposure	85 °C, 96 h, No load
Low temp. exposure	-40 °C, 96 h, No load
Thermal shock	-40 (0.5 h) ~ 85 °C (0.5 h), 5 cycles

### <Reflow profile for soldering heat evaluation>



Reflow : two times maximum

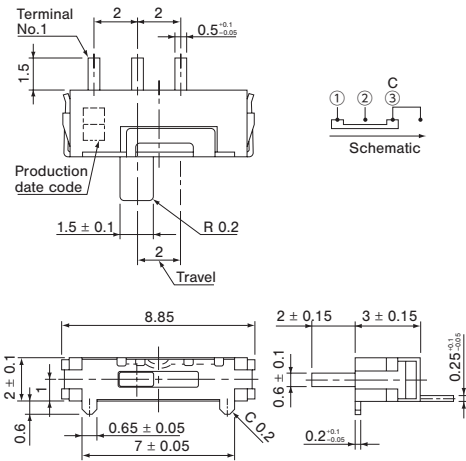
# CSS

## COMPACT SLIDE SWITCHES

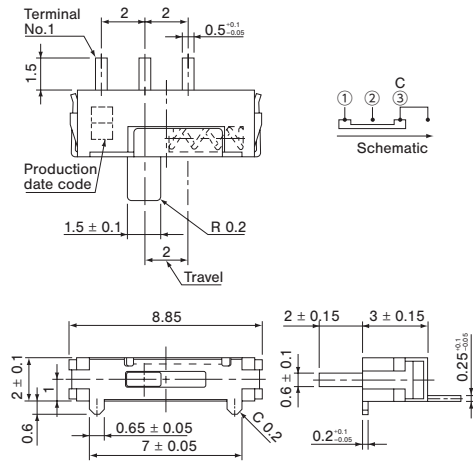
### OUTLINE DIMENSIONS

Unless otherwise specified, tolerance :  $\pm 0.2$  (Unit : mm)

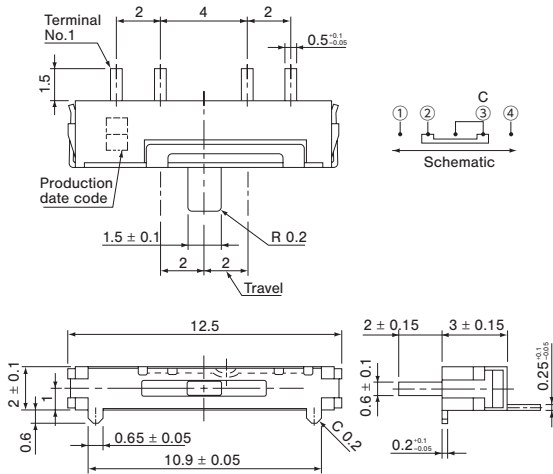
#### ● CSS-1210B



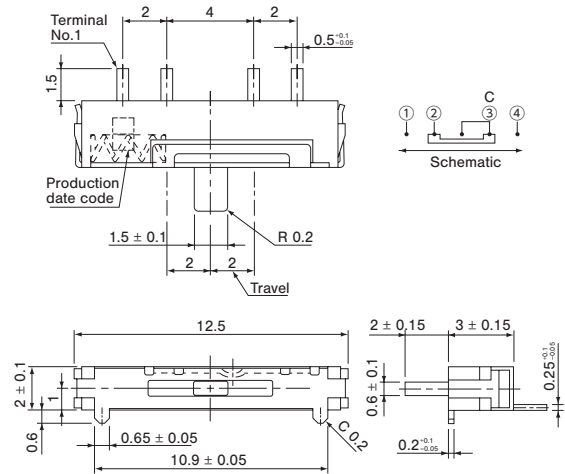
#### ● CSS-1211B



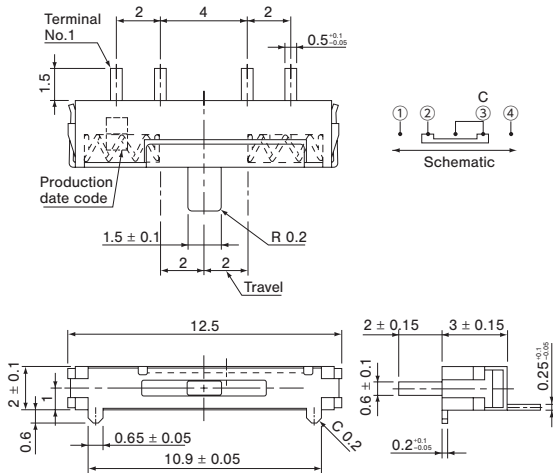
#### ● CSS-1310B



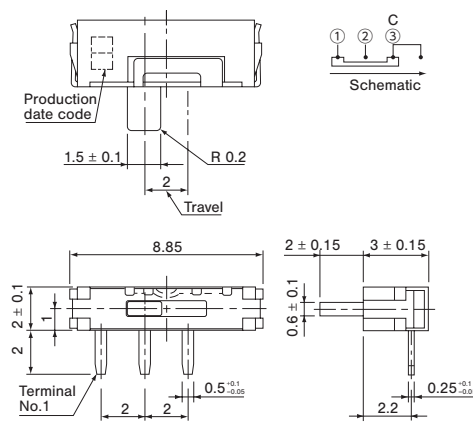
#### ● CSS-1311B



#### ● CSS-1312B



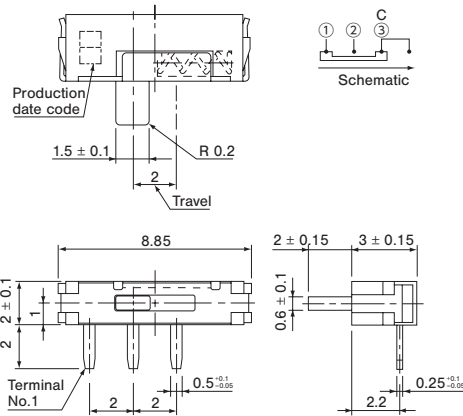
#### ● CSS-1210C



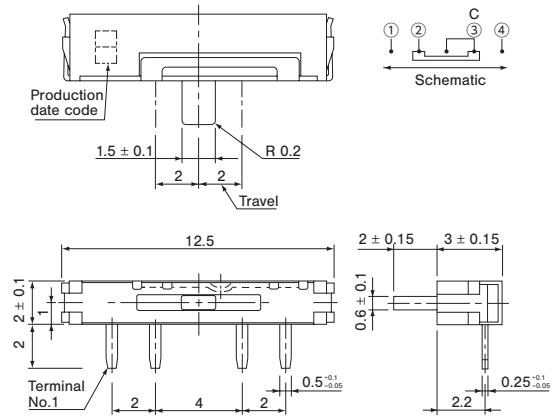
## OUTLINE DIMENSIONS

Unless otherwise specified, tolerance :  $\pm 0.2$  (Unit : mm)

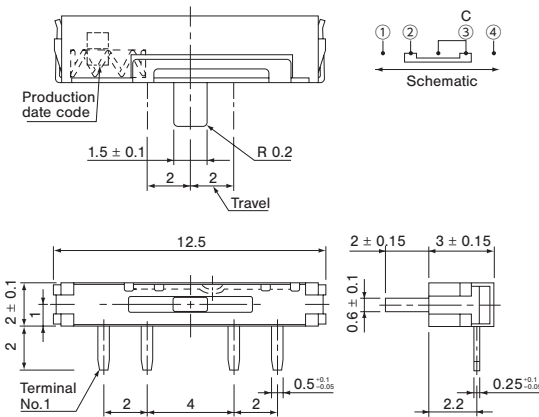
### ● CSS-1211C



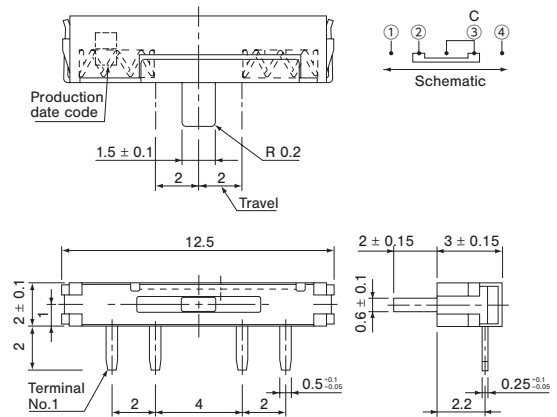
### ● CSS-1310C



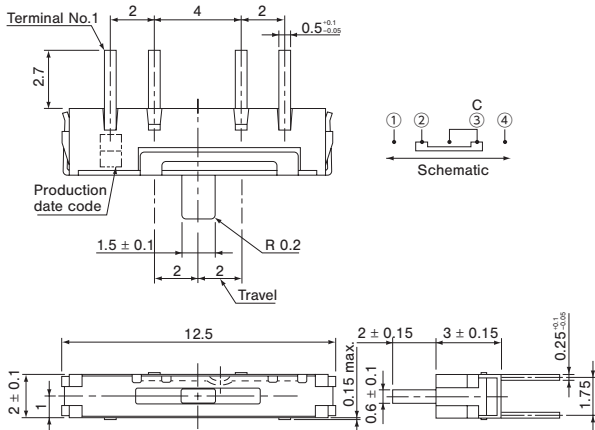
### ● CSS-1311C



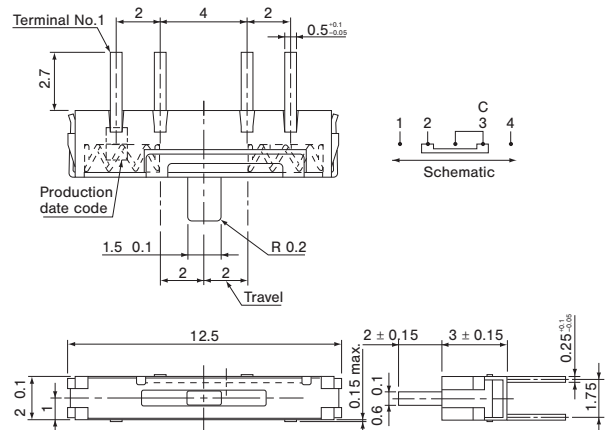
### ● CSS-1312C



### ● CSS-1300C



### ● CSS-1302C

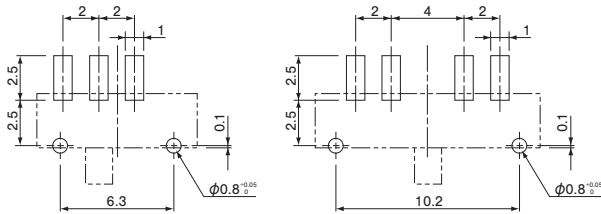


# CSS

## COMPACT SLIDE SWITCHES

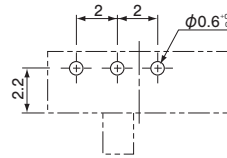
### RECOMMENDED P.C.B. PAD OUTLINE DIMENSIONS

● CSS-121□B      ● CSS-131□B      (Unit : mm)

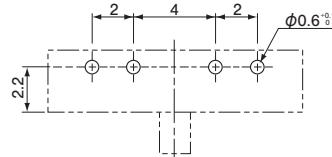


### SIZE OF P.C.B. PROCESSING

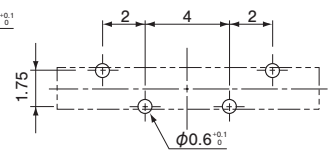
● CSS-121□C



● CSS-131□C



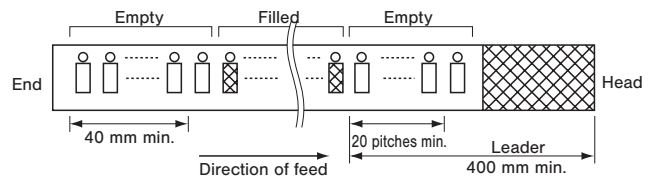
● CSS-130□C



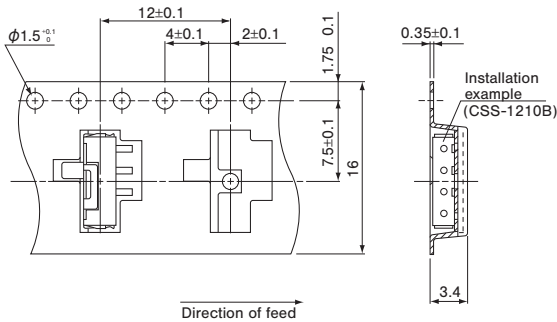
### PACKAGING SPECIFICATIONS

Taping version is packaged in 1900 pcs. per reel.  
 Taping version is boxed with 1 reel (1900 pcs.).  
 Maximum number of consecutive missing pieces = 2.  
 Leader length and reel dimension are shown in the diagrams below.

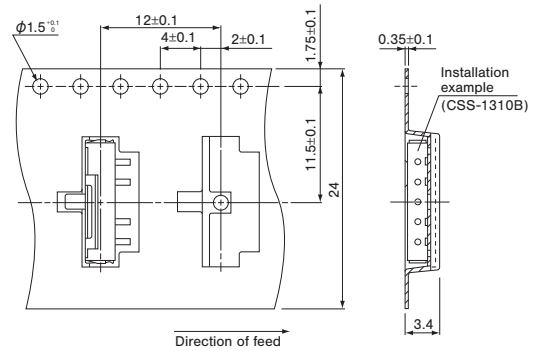
#### Embossed tape dimensions



● CSS-121□TB

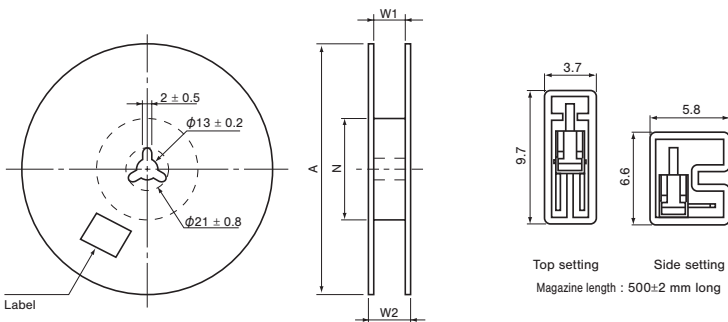


● CSS-131□TB



● Reel dimensions

(Unit: mm)



Reel shape and dimensions

Part number	A	W <sub>1</sub>	W <sub>2</sub>	N
121□TB	φ 330 ± 2	17.4 ± 1	21.4 ± 1	φ 80 ± 1
131□TB	φ 330 ± 2	25.4 ± 1	29.4 ± 1	φ 80 ± 1

Packing quantity of magazine

Part number	Quantity / Stick
12□□	53
13□□	38