

# EIGHT SWITCH SERIES

## 8 Switch Series Selection Table

Part No.	Name	Actuator shape	Number of poles	Switching function	Terminal style	Page
8H	Lever•Rocker		1•2	ON - ON ON - OFF - ON (ON)- OFF -(ON) ON - (ON)	 S/D P/C	307
8HD	Lever•Rocker (Dust Proof)		1•2		 S/D P/C	309
8M	Small Lever Rocker		1•2•3•4		 S/D	311
8V-M	Small Lever•Rocker PC		1•2		 P/C	313

●P/C : Show PC terminal.

### 8 Switch Series Common Specifications

Contact specs.		Silver	Gold plated
Rating	Max.	125 VAC 6A 250 VAC 3A 30 VAC 4A	125 VAC 6 A 250 VAC 3 A 30 VDC 4 A 20 VDC 25mA
Initial contact resistance		10 mΩ Max. (2~4 VDC 1 A)	20 mΩ Max. (200 μVAC 1.5 mA)
Initial dielectric strength		AC1500V/Minute	
Initial insulation resistance		1000 MΩ Min. (500 VDC)	
Electrical life	Alternate type	50,000/cycles	
	Momentary type	25,000/cycles	
Operating temperature range		-30~+85°C	
Storage temperature range		-40~+85°C	

### Terminal Styles

Terminal style	Solder Lug (Style : 1)	PC Straight (Style : 2)
Dimensions		

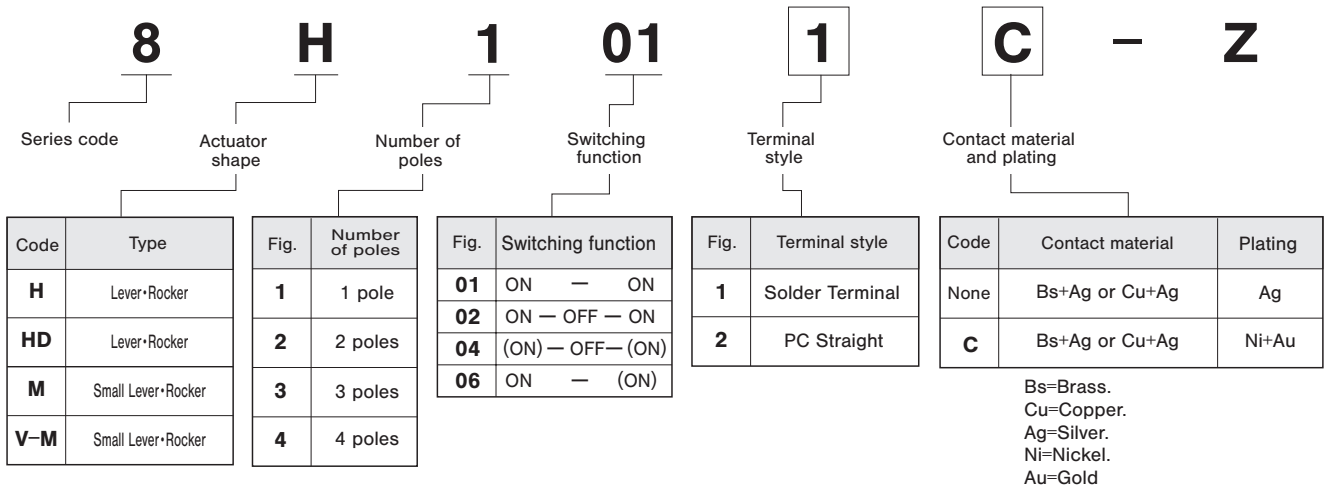
### PC Hole Layouts

Dimensions	
------------	--

(ON) : Momentary.

## 8 switch series

### Part Numbering



Note : For some products, the part numbers according to the above-stated combinations are not registered yet. Check the Table of Part Numbers for availability.

# UL, CSA (Lever•Rocker Type Only)

## UL and CSA listed

### 8Switch Series

Poles	Switching function	UL (File No.E43275)				CSA (File No.LR38341)			
		8H	8HD	8M	8V-M	8H	8HD	8M	8V-M
1-pole	101□ ON - ON	○	○	○	○	○	○	○	○
	102□ ON - OFF - ON	○				○			
	104□ (ON) - OFF - (ON)	○	○			○	○		
	106□ ON - (ON)	○			○	○			○
2-poles	201□ ON - ON	○	○	○	○	○	○	○	○
	202□ ON - OFF - ON	○	○			○	○		
	204□ (ON) - OFF - (ON)	○				○			
	206□ ON - (ON)	○			○	○			○
3-poles	301□ ON - ON			○				○	
4-poles	401□ ON - ON			○				○	

(1) Terminal types: 1 Solder terminal; 2 Straight terminal.

(2) Even if the products are of UL-or CSA-approved ones, The products in stock do not carry the UL mark of the CSA mark. When placing an order, be sure to specify "With UL/CSA Mark." For the products with the UL mark or the CSA mark, extra costs will be added.

(3) (※1.) UL File No.E43275

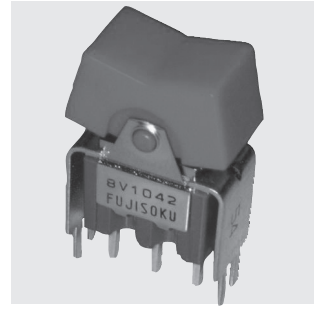
(※2.) CSA File No.LR38341

(4) As shown in the above chart, not all products are UL recognized or CSA-certified. Please check with your local sales representative if you have any questions.

# 8V-M

## Small Lever & Rocker Switches for PC Board

RoHS Compliant



### ■ Features

The 8V-M Small Lever & Rocker Switches for PC Board are designed for use with printed circuit boards. It is easy to directly mount the switch on the PC board and the switch is provided with supporting bracket for stabilized switch mounting. Levers and rockers are available in four matted colors that give an elegant atmosphere. Choose the suitable one for the panel design.

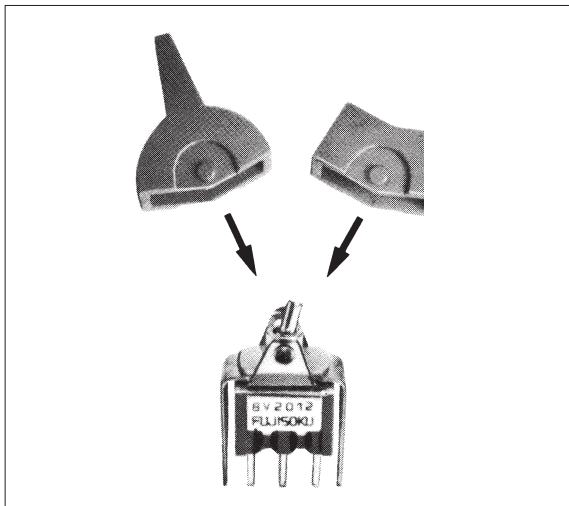
### ■ Standard Accessories

《Supplied separately》

Part Name	Lever	Rocker
Dimensions	<p>Matte finish</p> <p>polycarbonate resin</p>	<p>Matte finish</p> <p>polycarbonate resin</p>
White	<b>14000050427</b>	<b>140000480509</b>
Red	<b>140000050428</b>	<b>140000480510</b>
Black	—	<b>140000480511</b>
Gray	<b>140000050450</b>	—

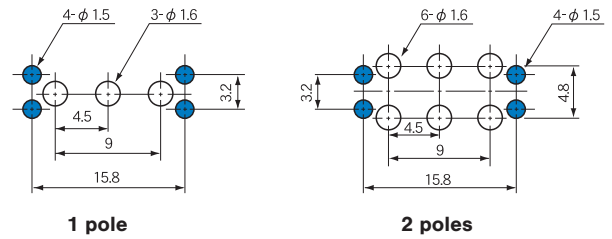
● Specify either one of Lever or Rocker in part number when placing an order.

### ■ Lever or Rocker Installation Procedure

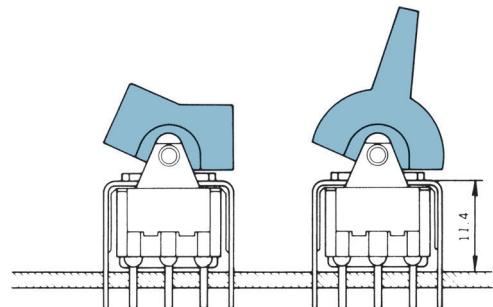


● Insert the lever or the rocker provided onto the switch from the above.

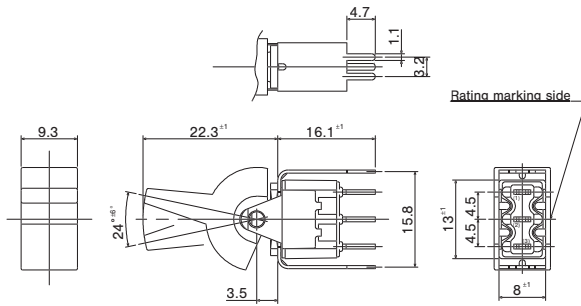
### ■ PC Hole Layouts



### ■ PC Board Mounting



**SPDT**

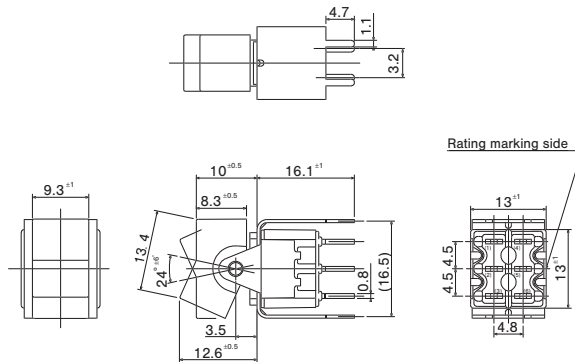
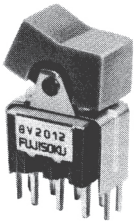


Switching function Part No.	Viewed from rating marking side		
8V1012-M-Z	ON	-	ON
★8V1062-M-Z	ON	-	(ON)
Connecting terminals	2-3	-	2-1

(Mount with Lever)

Terminal numbers are not shown on the bottom of the switch.

**DPDT**



Switching function Part No.	Viewed from rating marking side		
8V2012-M-Z	ON	-	ON
★8V2062-M-Z	ON	-	(ON)
Connecting terminals	2-3 5-6	-	2-1 5-4

(Mount with Rocker)

Terminal numbers are not shown on the bottom of the switch.

**Handling Precautions**

**1. Soldering Specifications**

(1) Manual Soldering

Device : Soldering iron

① 420°C, Max.; 3 sec., Max.

(2) Auto Soldering

② 275°C ± 10°C, Max.; 5 seconds, Max.

Note that the above-stated soldering conditions should be applied to the PC terminal type only.

**2. Flux Cleaning**

(1) For the solvent, use the fluorine- or alcohol-based solvent.

Solvent: Fluorine or Alcohol type

(2) Since the 8V-M Series switches are not waterproof-structured, if the PC board is to be cleaned, clean the soldering surface of substrate with a brush so that the switch is not exposed to the cleaning solution.