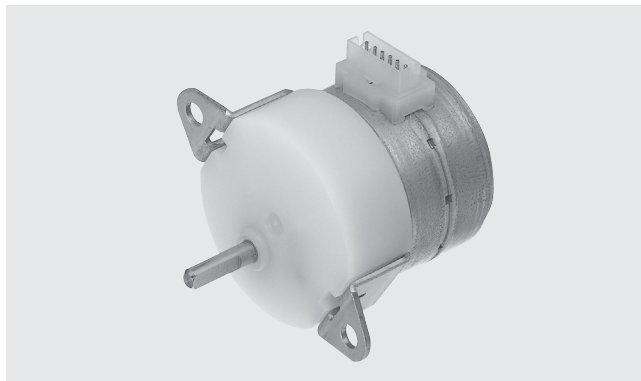


FEATURES

- Provided with a compact gearbox
- Has a connector terminal for easy lead connection
- RoHS compliant

APPLICATIONS

- Game machines
- Printers
- Valve actuations



PART NUMBER DESIGNATION

SPG27 - 1601

Series name

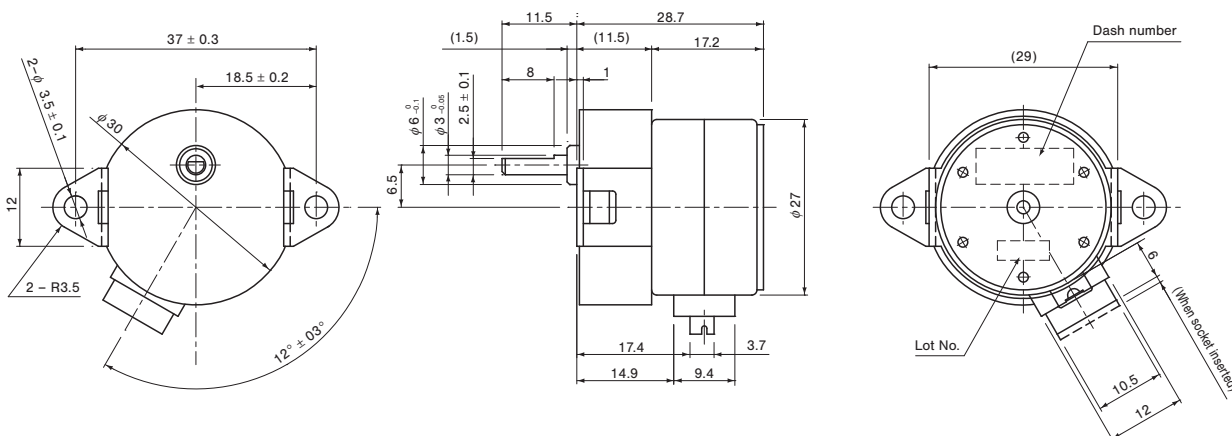
Dash number

LIST OF PART NUMBERS

Gear ratio	Winding resistance	30Ω	60Ω
1/2.5	Unipolar	1203	1201
1/5		1101	1601
1/12		1702	1701

OUTLINE DIMENSIONS (Reference)

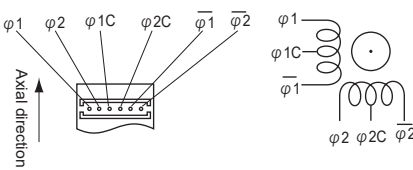
Unless otherwise specified, tolerance: ± 0.5 (Unit: mm)



SPG27-1000

STEPPING MOTORS

STANDARD SPECIFICATIONS

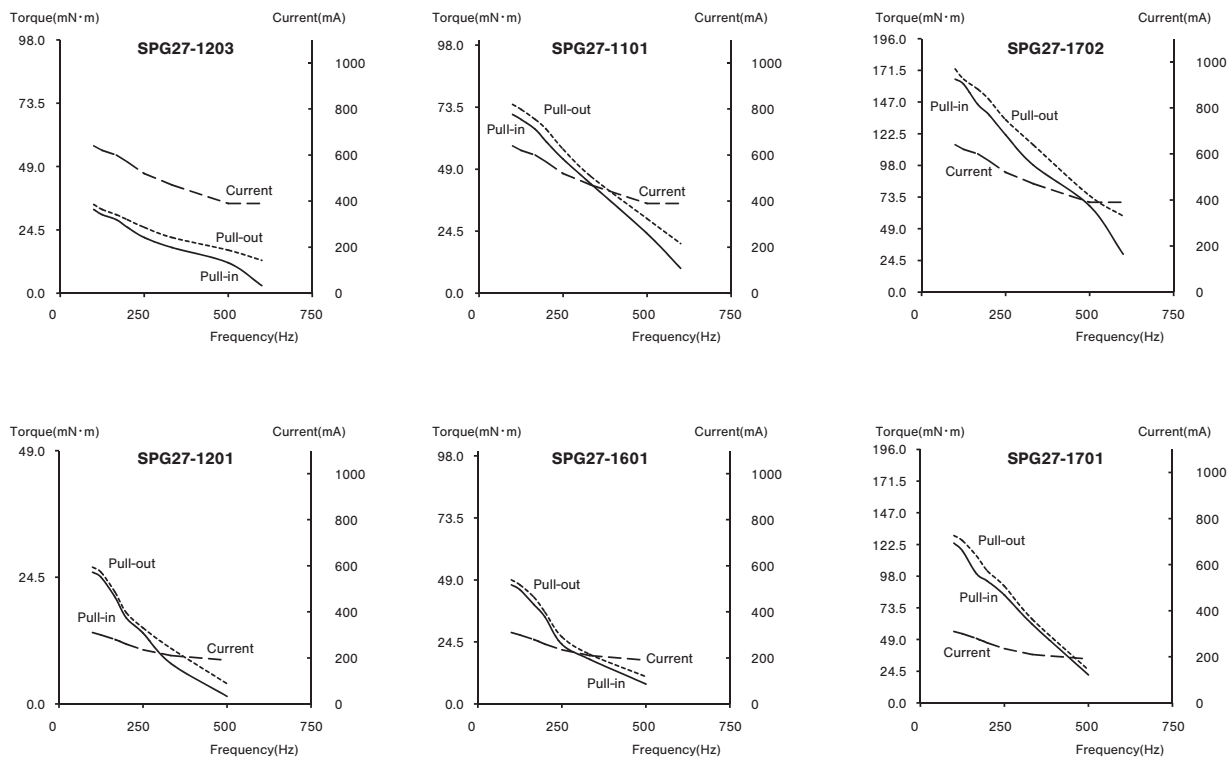
Item	SPG27-1000					
	1203	1101	1702	1201	1601	1701
Number of phases	4					
Number of poles	12					
Excitation	2 phases unipolar					
Gear ratio	1/2.5	1/5	1/12	1/2.5	1/5	1/12
Basic step angle	6 °	3 °	1.25 °	6 °	3 °	1.25 °
Steps	60	120	288	60	120	288
Winding resistance	30Ω			60Ω		
Power	Average power consumption 5 W maximum					
Current	Refer to PERFORMANCE CURVES					
Pull-in torque						
Pull-out torque						
Pull-in pulse rate						
Maximum continuous response frequency						
Temperature rise	Refer to TEMPERATURE CHARACTERISTICS					
CURVES Insulation resistance	30 MΩ minimum at 500 VDC					
Dielectric strength	500 Vrms (AC50 Hz, 1 min)					
Operating temperature range	0 ~ 50 °C					
Net weight	Approx. 60 g					
Axial maximum load	Continuous	19.6 mN-m				
	Momentary	98.1 mN-m				
Standard connector terminal	<p>Male connector 06ZR-8M or ZHR-6 Made by J.S.T. Mfg. Co., Ltd</p> <p>6 5 4 3 2 1 ϕ1 ϕ2 ϕ1C ϕ2C ϕ1 ϕ2</p> 					

SPG27-1000

STEPPING MOTORS

PERFORMANCE CURVES (Reference value)

12V-2phases-EX.



※ These performance curves show actual value, not guaranteed value.

TEMPERATURE CHARACTERISTICS

