

STEPPING MOTORS

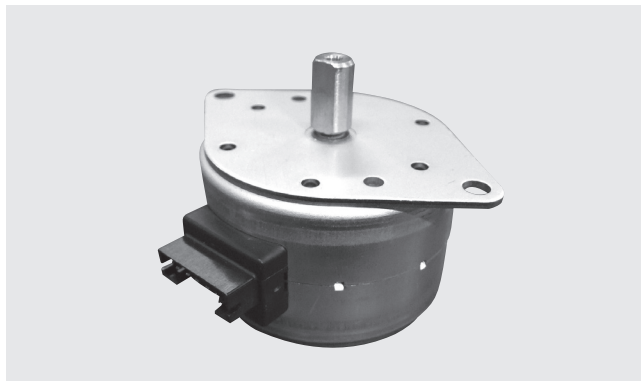
SP39-1000

FEATURES

- Provided with connector terminals for easy connection
- RoHS compliant

APPLICATIONS

- Game machines
- Others



PART NUMBER DESIGNATION

SP39 - 1000

Series name

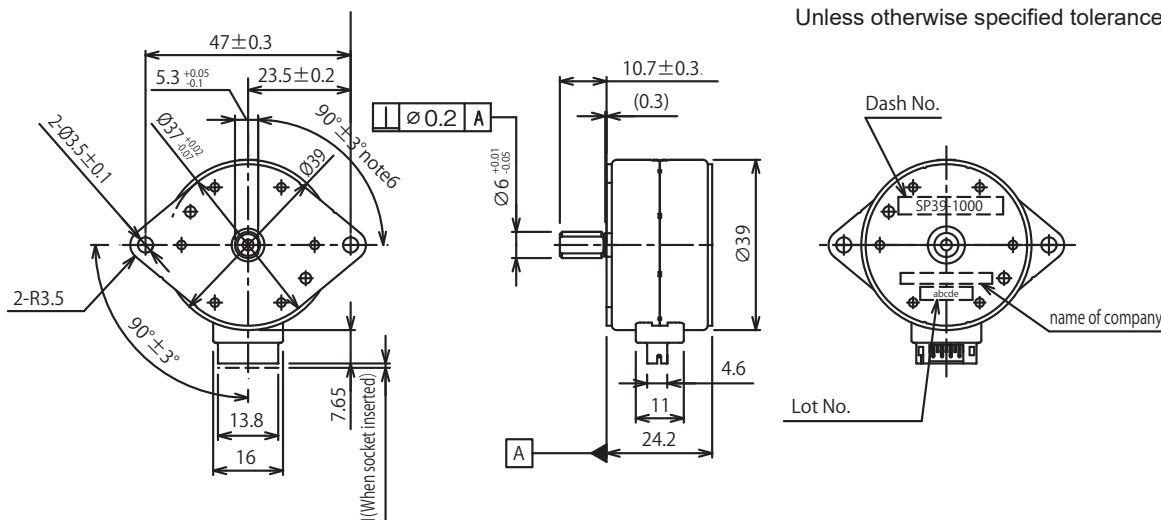
Dash number

LIST OF PART NUMBERS

Rotor magnet (Energy Product)	Winding resistance	86 Ω	21 Ω	50 Ω
6.5MGOe	Unipolar	1000	1001	1002
5.0MGOe			1100	1101

※ When ordering, please specify the part number and dash number.

OUTLINE DIMENSIONS



Lot production is required. Please consult us for ordering.

SP39-1000

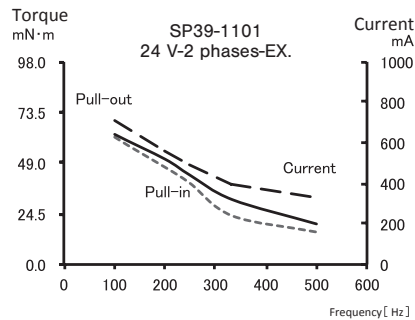
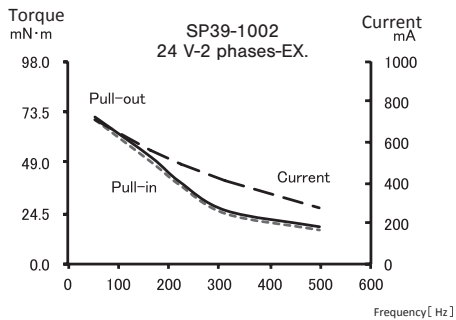
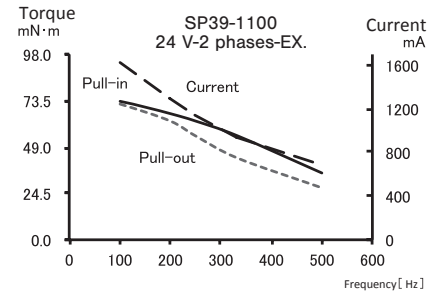
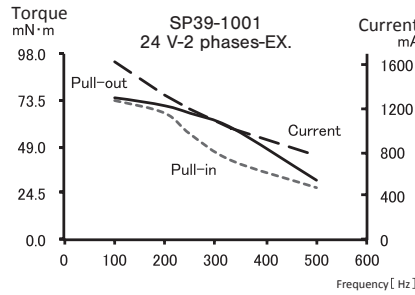
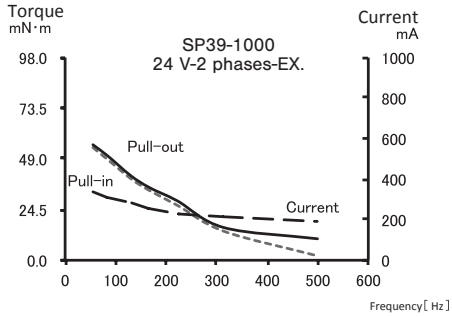
STEPPING MOTORS

STANDARD SPECIFICATIONS

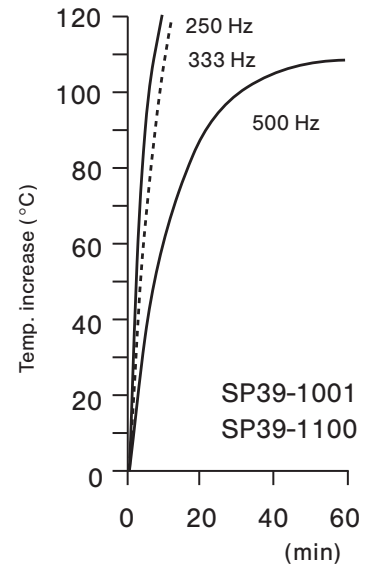
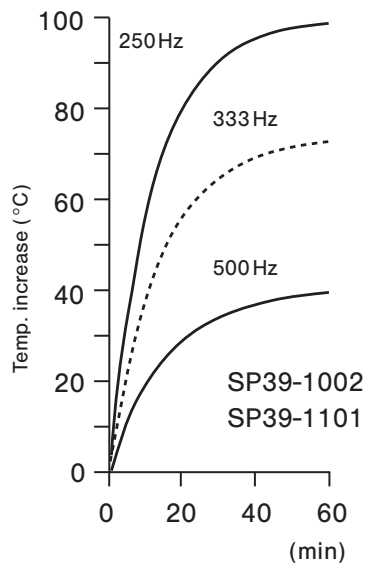
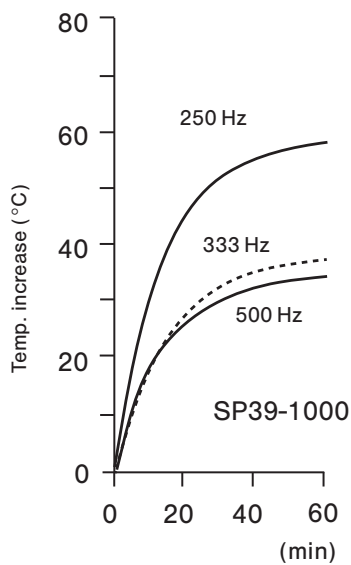
Item	SP39-1000				
	1000	1001	1100	1002	1101
Number of phases	4 phases unipolar(Substitutable as two bipolars due to open common terminal pins.)				
Number of poles	20				
Basic step angle	9° (2 phases exciting)				
Steps	40 (2 phases exciting)				
Winding resistance	86 Ω	21 Ω		50 Ω	
Rotor magnet (Energy Product)	6.5GOe	6.5GOe	5.0GOe	6.5GOe	5.0GOe
Power	Average power consumption 5 W maximum				
Current	Refer to PERFORMANCE CURVES				
Pull-in torque					
Pull-out torque					
Pull-in pulse rate					
Temperature rise	Refer to TEMPERATURE CHARACTERISTICS				
CURVES Insulation resistance	30 MΩ min. (500 VDC)				
Dielectric strength	500 Vrms(AC 50 Hz, 1 min)				
Operating temperature range	0 ~ 50 °C				
Net weight	Approx. 123 g				
Axial maximum load	Continuous	19.6 mN-m			
	Momentary	98.1 mN-m (Reference value)			
Standard connector terminal	<p>Male connector 06CR-6H-P 06KR-6H-P or PHR-6</p> <p>φ1 φ2 φ1C φ2C φ1̄ φ2̄</p> <p>6 5 4 3 2 1 φ1 φ2 φ1C φ2C φ1 φ2</p> <p>φ1 φ1C φ1 φ2</p> <p>φ2 φ2C φ2</p> <p>Made by J.S.T. Mfg. Co., Ltd</p>				

SP39-1000 STEPPING MOTORS

PERFORMANCE CURVES



TEMPERATURE CHARACTERISTICS (REFERENCE VALUE)



※ These performance curves show actual value, not guaranteed value.