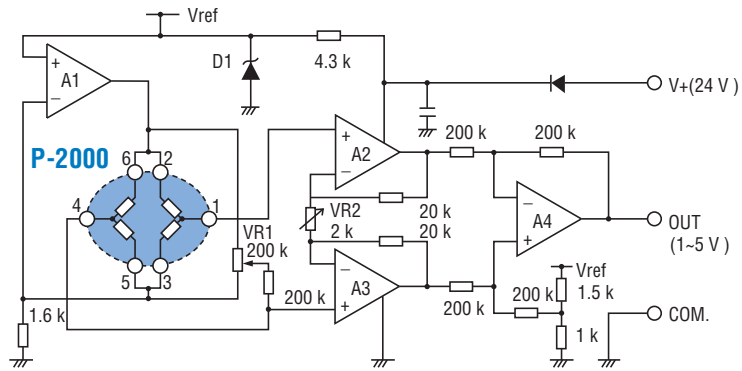


PRESSURE TRANSDUCERS RECOMMENDED EXTERNAL CIRCUIT

RECOMMENDED EXTERNAL CIRCUIT

1 ~ 5 V Output



A1~4: LM324 ※ D1 :LM385-2.5

※ In case of being required the improvement of accuracy, high accuracy amp. such as LT1014 is recommended

0 ~ 1 V Output

