

PRESSURE SWITCHES

PS86



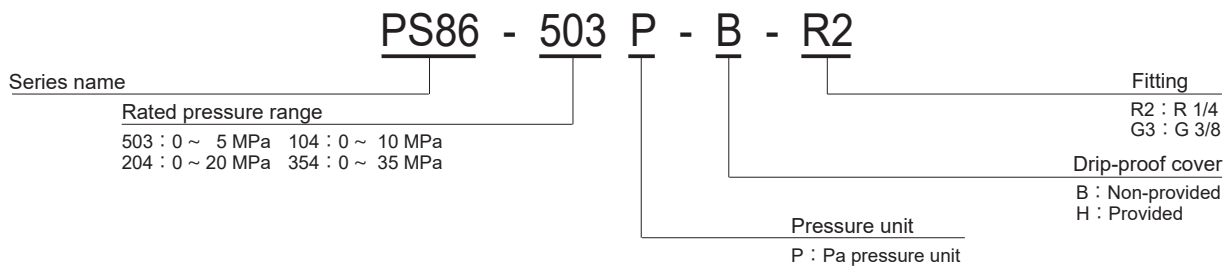
FEATURES

- Solidstate pressure switch with no mechanical moving parts
- Isolated output via a photo-coupler
- Switching pressure adjustable and hysteresis band adjustable
- Resistant against surge pressure
- SUS 316L welded stainless steel diaphragm

INTERNAL STRUCTURE
PS86 (G 3/8)

	Part name	Material
①	Fitting	Iron, Ni-plated
②	Stainless steel diaphragm	SUS 316L
③	Sensor chip	Silicone
④	Back cover	SUS 303
⑤	Drip-proof cover	Silicone rubber

MODEL NUMBER DESIGNATION



※ Please refer to the LIST OF MODEL NUMBERS when placing orders.

PS86

PRESSURE SWITCHES

LIST OF MODEL NUMBERS

Pressure medium	Fitting	Pressure reference		Gauge			
		Drip-proof cover	MPa Rated pressure range	0 ~ 5	0 ~ 10	0 ~ 20	0 ~ 35
Hydraulic oil	R2 (R 1/4)	Non-provided		PS86-503P-B-R2	PS86-104P-B-R2	PS86-204P-B-R2	PS86-354P-B-R2
		Provided		PS86-503P-H-R2	PS86-104P-H-R2	PS86-204P-H-R2	PS86-354P-H-R2
	G3 (G 3/8)	Non-provided		PS86-503P-B-G3	PS86-104P-B-G3	PS86-204P-B-G3	PS86-354P-B-G3
		Provided		PS86-503P-H-G3	PS86-104P-H-G3	PS86-204P-H-G3	PS86-354P-H-G3

☐: Not available

※ Verify the above model numbers when placing orders.

STANDARD SPECIFICATIONS

● Unless otherwise specified, the specs are defined at an ambient temperature of 25±5 °C and excitation voltage of 12 VDC.

Item	Model number	PS86				
		503P	104P	204P	354P	
General specifications	Pressure reference	Gauge ※ 1				
	Rated pressure range	MPa	5	10	20	35
	Maximum pressure	MPa	10	20	40	52.5
	Operating temp. range	°C	- 10 ~ 75			
	Compensated temp. range	°C	0 ~ 50			
	Operating humidity	%RH	35 ~ 85 (No condensation)			
	Storage temp.	°C	- 20 ~ 90 (Atmospheric pressure, humidity 65 %RH maximum)			
	Pressure medium ※ 2		Hydraulic oil			
	Insulation resistance	MΩ minimum	100 (500 VDC)			
	Dielectric strength		350 VAC, 60 s (Leakage current 0.5 mA maximum)			
	Pressure port		R 1/4, G 3/8			
	Net weight	g	Approx. 170			
Protection grade		Without drip-proof cover : IP54, With drip-proof cover : IP65				

※ 1 The transducer measures gauge pressure using an absolute pressure sensing element.

※ 2 Hydraulic oil is used as a measurement medium at the time of delivery inspection.

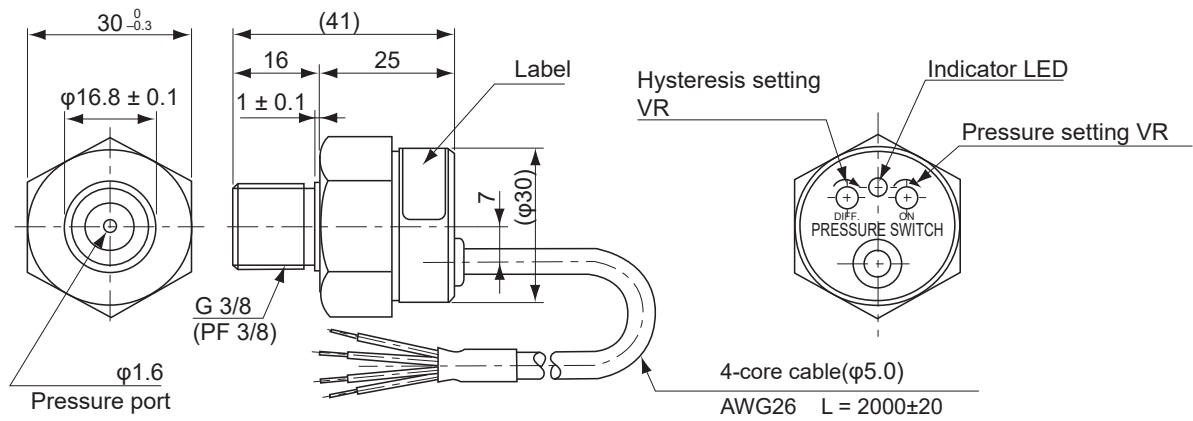
PS86

RESSURE SWITCHES

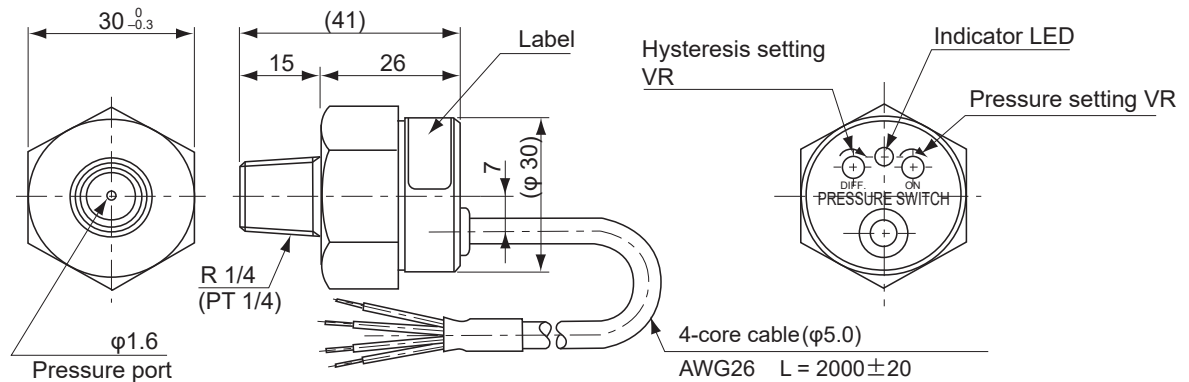
OUTLINE DIMENSIONS

Unless otherwise specified, tolerance : ± 0.5 (Unit: mm)

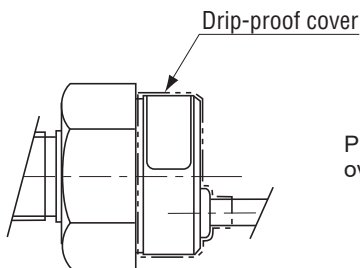
Configurations of joint G3 (G 3/8) type



Configurations of joint R2 (R 1/4) type



Drip-proof cover type



Please make sure that the drip-proof cover is properly placed over the main body and the cable.

Wire color	Connection
Red	Power ⊕
Black	Power ⊖
White	Output ⊕
Green	Output ⊖