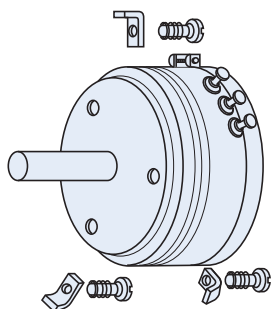


INSTALLATION POTENTIOMETERS

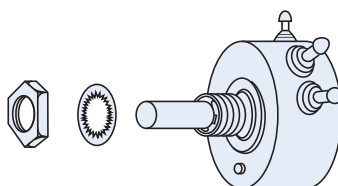
POTENTIOMETER INSTALLATION

Below installation method is available.

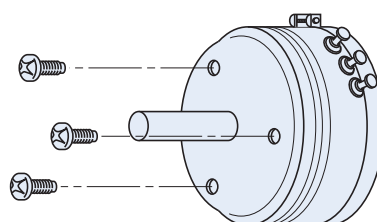
<Servo mount type>



<Bushing mount type>



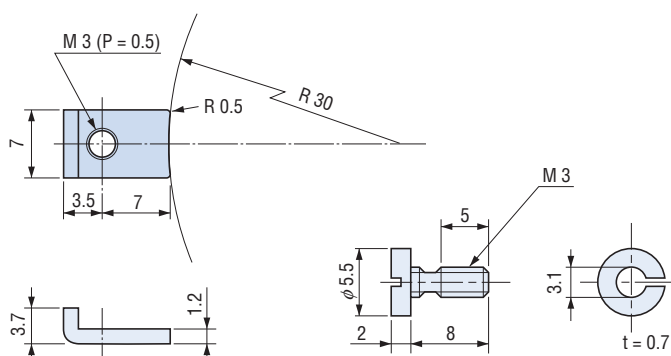
<Screw mount type>



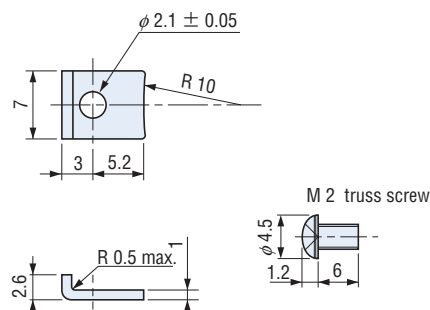
External dimensions for servo mount ratchet

(Unit: mm)

For JT30, JC30S, JC40S, J40S, J45S, J50S



For JC22S, JC30S, JT22



The ratchet for servo mounting can be provided upon request.

LIST OF INSTALLATION

Installation	Series name	J series	JC series	JP-30	JT series	MC series
Servo mount type		●	●		●	
Bushing mount type				●		●
Screw mount type		●	●		●	