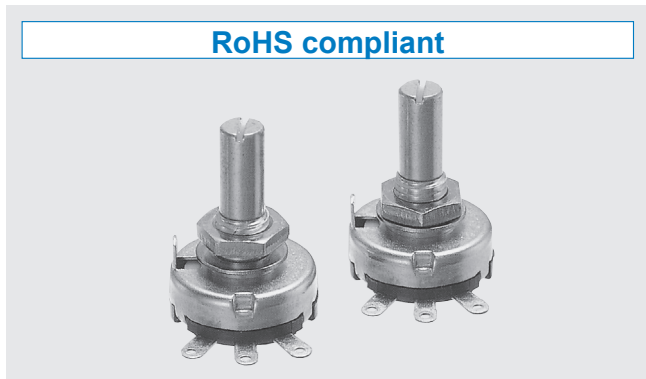


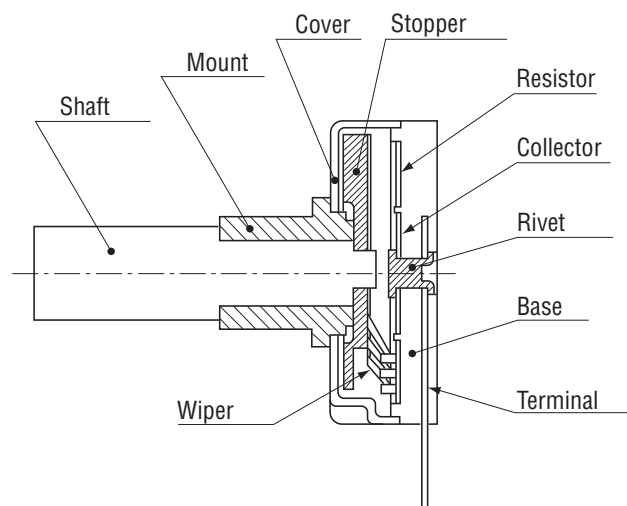
## CONDUCTIVE PLASTIC SINGLE TURN TYPE

# CRV16 series

RoHS compliant



### Basic construction Conductive plastic single turn type



## FEATURES

- Long life
- Cost effective
- High linearity through precision wire winding
- RoHS compliant

## PART NUMBER DESIGNATION

CRV16-00-102

Series name

Nominal resistance value( $\Omega$ )

102 : 1 k    202 : 2 k  
502 : 5 k    103 : 10 k

## LIST OF PART NUMBERS

Nominal resistance value	Part number
1 k $\Omega$	CRV16-00-102
2 k $\Omega$	CRV16-00-202
5 k $\Omega$	CRV16-00-502
10 k $\Omega$	CRV16-00-103

# CRV16 POTENTIOMETERS

## STANDARD SPECIFICATIONS

### Electrical characteristics

Nominal resistance value		1 kΩ, 2 kΩ, 5 kΩ, 10 kΩ
Resistance tolerance	%	± 20
Resolution		Essentially infinite
Independent linearity	%	± 1
Effective electrical angle		220° ± 10°
Power rating (at 40 °C)	W	0.25
Dielectric strength		500, 1min
Insulation resistance	MΩ minimum	50 (at DC 500 V)
Temp. coefficient of resistance	ppm/°C	± 400
Output smoothness		0.5 % maximum

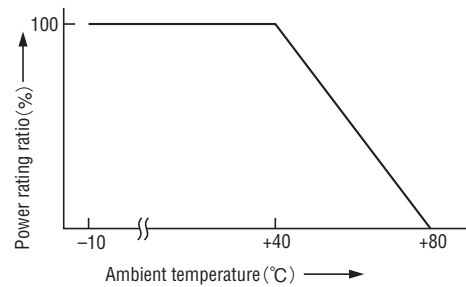
### Mechanical characteristics

Mechanical angle		260° ± 5°
Rotational torque	mN·m {gf·cm} maximum	3.92 {40}
Stop strength	N·m {kgf·cm} minimum	0.196 {2}
Rotational life (cycles)		500 thousand cycles

### Environmental characteristics

Operating temp. range	°C	-10 ~ 80
Net weight	g	Approx.5
Protection grade		IP20

## RATED POWER DERATING CURVE



## OUTLINE DIMENSIONS

Unless otherwise specified tolerance : ± 0.5 (Unit : mm)

