

RoHS compliant



LA16G324B50MC



LA16G324B120MC

Weight : approx. 25 g

■ PART NUMBER DESIGNATION

LA 16 G 3 2 4 B 5 0 M C

Series name

Gear ratio

50 : 1/50

120 : 1/120

■ LIST OF PART NUMBER

Gear ratio	Part number
1/50	LA16G324B50MC
1/120	LA16G324B120MC

※ Verify the above part numbers when placing orders.

LA16G324B

DC GEARED MOTORS

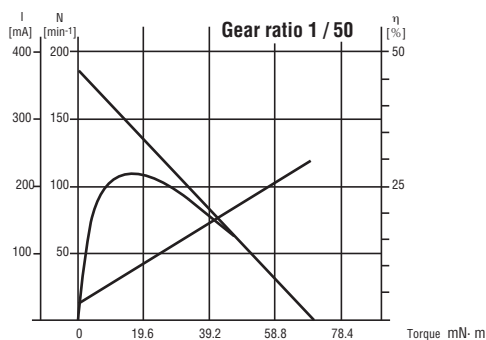
STANDARD SPECIFICATIONS

Part number	Rated voltage	Rated torque	Rated speed	Rated current	No load speed	No load current	Starting torque	Starting current
LA16G324B50MC	12 V	14.7 mN·m	150 min ⁻¹	65 mA	190 min ⁻¹	20 mA	70.6 mN·m	230 mA
LA16G324B120MC		24.5 mN·m	65 min ⁻¹	52 mA	78 min ⁻¹		166.6 mN·m	

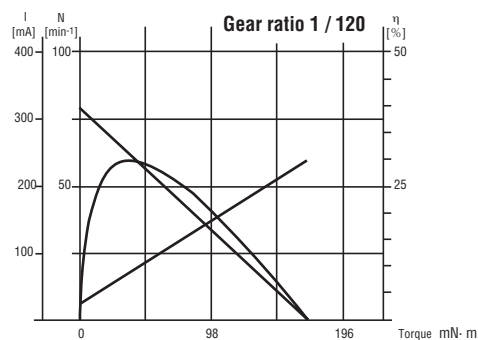
PERFORMANCE CURVES

(Figures in the table are typical values under rated operating condition.)

LA16G324B50MC



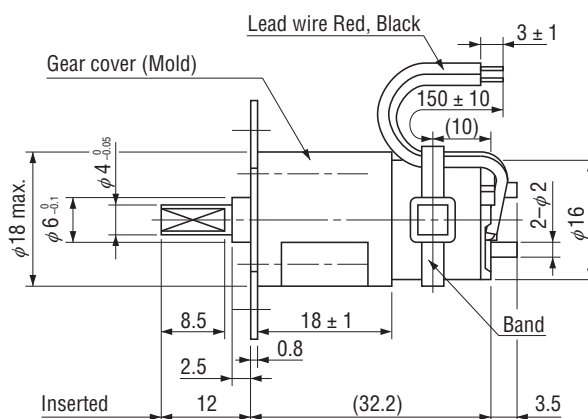
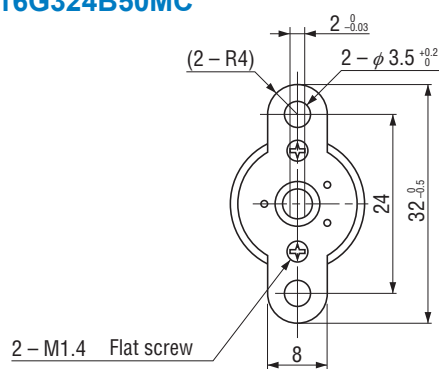
LA16G324B120MC



OUTLINE DIMENSIONS

(Unit: mm)

LA16G324B50MC



LA16G324B120MC

