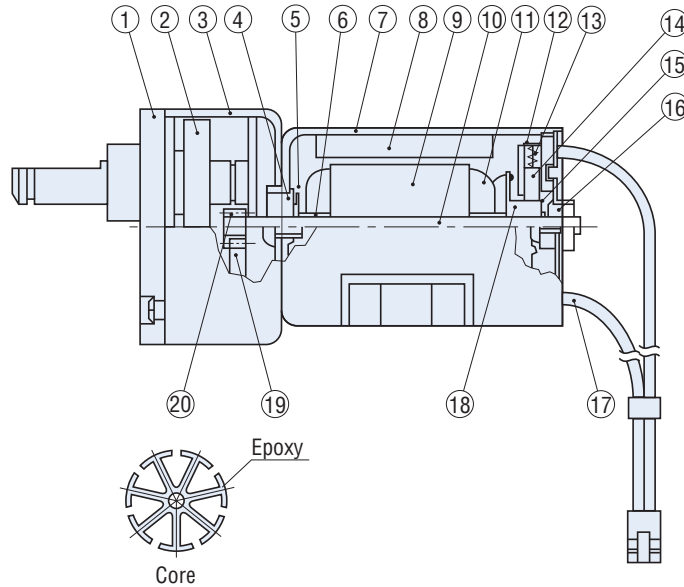


■ BASIC CONSTRUCTIONS



Part name			
①	Flange	⑪	Coil wire
②	Gear block assembly	⑫	Brush holder
③	Gear case	⑬	Brush spring
④	Metal	⑭	Brush
⑤	Washer	⑮	Oil differential
⑥	Sleeve	⑯	Metal
⑦	Case	⑰	Lead wire
⑧	Magnet	⑱	Commutator
⑨	Core	⑳	First stage gear
⑩	Shaft		Pinion

■ GLOSSARY

● Rated torque

The torque generated when running at the rated voltage and rated current.

● Rated revolutions per minute

The revolution when running at rated torque.

● No load speed

Output shaft speed with no load when rated voltage is applied.

● Momentary maximum current

The maximum current that can be tolerated for one second without demagnetizing the magnets or causing other damage.

● Torque constant

The torque generated by the motor when a current of 1 A is applied.