

Application Note AN 6

Evaluation board for SLIC protection

PK085-100-SLIC, PL085-200-SLIC

Device

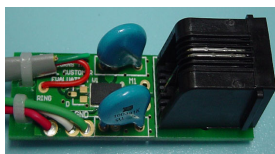


C-FAP-PL085-200-WH

or

C-FAP-PK085-100-WH

Evaluation board appearance



Overview

The SLIC, which is a telephone line interface circuit, has functions such as sending and receiving voice signals, supplying DC power, sending dial tones, and sending calling signals (Ringer).

This evaluation board can evaluate the protection performance against lightning surges and AC power crossing.

Solution

1. C-FAP device

C-FAP-PL085-200-WH

or **C-FAP-PK085-100-WH**

2. Overvoltage protection (Varistor)

Varistor voltage

MOV-10D391K

Maximum clamp voltage=390V

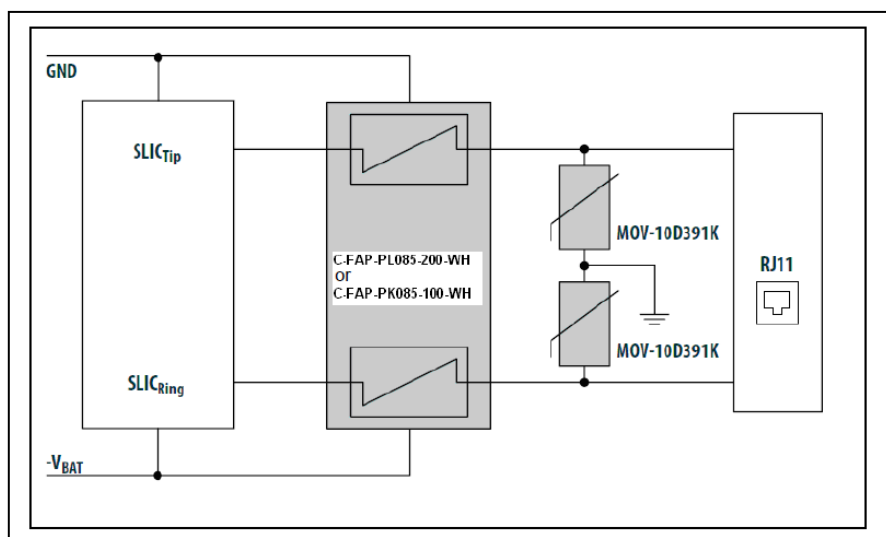
Maximum clamp voltage(8/20 μ s)= 650V,

Compliant standard

A protector with a breakdown voltage of 330 V or less can comply with ITU-TK.20,K.45.

Advantage

This solution provides a high level of protection with a small board area.



The diagram above shows protection in an application, but does not constitute a complete circuit design.

Please check the performance of the device in your application when using it.